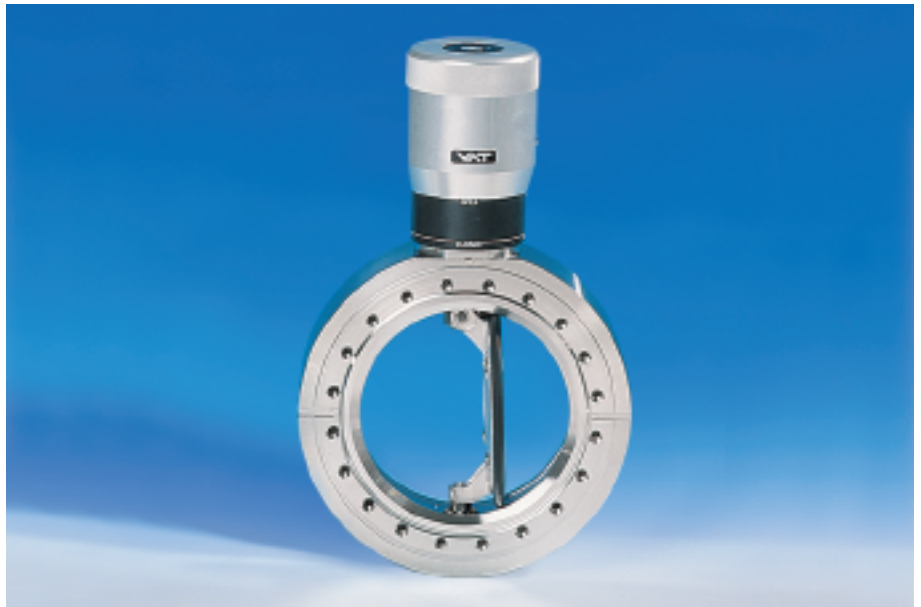


Series 200 / 202

Manual actuator,
with bellows feedthrough

Compact alternative to gate valves

Only for applications in clean vacuum systems because of exposed valve mechanism



Body material

aluminum or stainless steel

Manual actuator

easy 1/2 turn operation

DN		Ordering numbers			
mm	inch	Series 200 with standard body		Series 202 with extended body	
		aluminum ISO-F	stainless steel CF-F metric	aluminum ISO-F	stainless steel CF-F metric
63	2 1/2	20036-PA04	20036-CE04	20236-PA04	20236-CE04
100	4	20040-PA04	20040-CE04	20240-PA04	20240-CE04
160	6	20044-PA04	20044-CE04	20244-PA04	20244-CE04

Pneumatic actuator

See series 203 / 204, pages 66 - 69

Technical data

further technical data on request

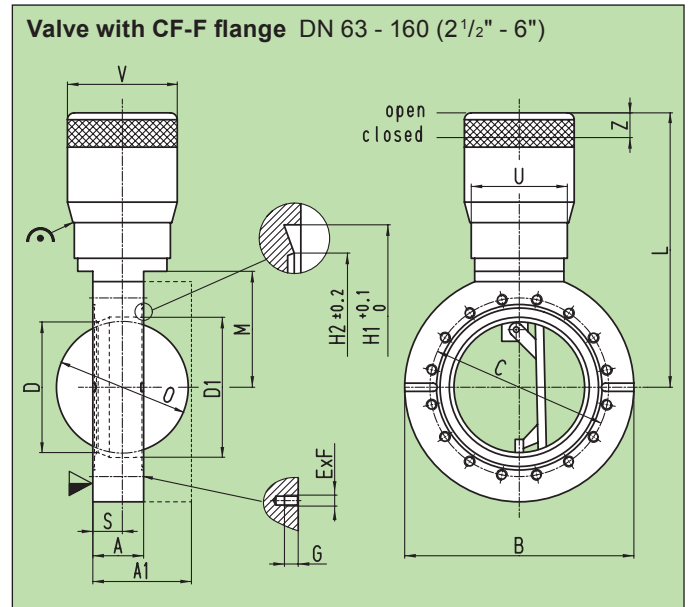
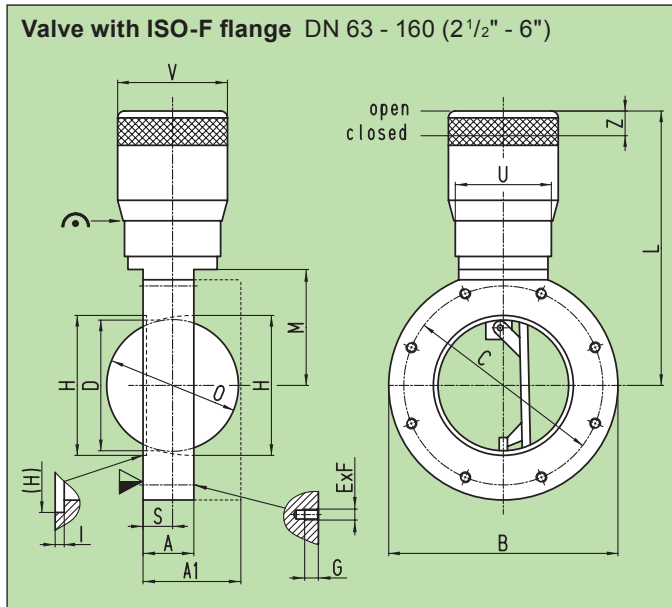
Leak rate: body / valve seat	$< 5 \cdot 10^{-10}$ mbar ls ⁻¹ / $< 1 \cdot 10^{-9}$ mbar ls ⁻¹
Pressure range	$1 \cdot 10^{-9}$ mbar to 1.2 bar (abs)
Differential pressure on the plate	≤ 1.2 bar in either direction
Differential pressure at opening	≤ 30 mbar
Cycles until first service	10000 (under clean conditions)
Temperature ¹⁾ : body, actuator	$\leq 150^\circ\text{C}$
Material	
- Aluminum body ISO-F	AlMgSi (6060/6061/6063/6082)
- Stainless steel body CF-F	AISI 304 (1.4301)
- Mechanism, valve plate	AISI 304 (1.4301), AISI 304L (1.4306), AISI 420 (1.4034)
- Bellows	AISI 316L (1.4404)
Seal: bonnet / plate	metal / VITON
Mounting position	any

¹⁾ Maximum values: depending on operating conditions and sealing materials

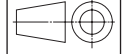
Options & Accessories

On request

Dimensions



Projection E ▽ valve seat side Ⓞ mechanical position indication



A: standard body series 200
A1: extended body series 202

DN	mm inch	63 2 1/2	100 4	160 6
O.D.	inch	4 1/2	6	8
A	mm inch	32 1.26	38 1.5	60 2.36
A1	mm inch	50 1.97	70 2.76	110 4.33
B	mm inch	131 5.16	167 6.57	226 8.9
C	mm inch	110 4.33	145 5.71	200 7.87
D	mm inch	65 2.56	95 3.74	142 5.59
E x F		4 x M8	8 x M8	8 x M10
G	mm inch	10 0.39	16 0.63	15 0.59
H	mm inch	70 2.76	102 4.02	153 6.02
I	mm inch	2.5 0.1	2.5 0.1	4.5 0.18
L	mm inch	145 5.71	190 7.48	245 9.65
M	mm inch	66.5 2.62	84 3.31	113.5 4.47
O	mm inch	67 2.64	96 3.78	144 5.67
S	mm inch	16 0.63	22 0.87	34 1.34
U	mm inch	62 2.44	70 2.76	78 3.07
V	mm inch	70 2.76	80 3.15	90 3.54
Z	mm inch	12 0.47	18 0.71	28 1.1

DN	mm inch	63 2 1/2	100 4	160 6
O.D.	inch	4 1/2	6	8
A	mm inch	32 1.26	38 1.5	60 2.36
A1	mm inch	50 1.97	70 2.76	110 4.33
B	mm inch	131 5.16	167 6.57	226 8.9
C	mm inch	92.1 3.63	130.2 5.13	181 7.13
D	mm inch	65 2.56	95 3.74	142 5.59
D1	mm inch	70 2.76	102 4.02	153 6.02
E x F		8 x M8	16 x M8	20 x M8
G	mm inch	12 0.47	10 0.39	12 0.47
H1	mm inch	82.5 3.25	120.65 4.75	171.45 6.75
H2	mm inch	77.4 3.05	115.5 4.55	166 6.54
L	mm inch	145 5.71	190 7.48	245 9.65
M	mm inch	66.5 2.62	84 3.31	113.5 4.47
O	mm inch	67 2.64	96 3.78	144 5.67
S	mm inch	16 0.63	22 0.87	34 1.34
U	mm inch	62 2.44	70 2.76	78 3.07
V	mm inch	70 2.76	80 3.15	90 3.54
Z	mm inch	12 0.47	18 0.71	28 1.1