

## Series 012

Small and light-weight

Low cost



### Body material

aluminum

### Manual actuator

toggle lever

DN		Ordering numbers ISO-KF
mm	inch	
16	5/8	01224-KA06
25	1	01228-KA06
40	1 1/2	01232-KA06
50	2	01234-KA06

### Pneumatic actuator

double acting

without position indicator

without solenoid

DN		Ordering numbers ISO-KF
mm	inch	
16	5/8	01224-KA14
25	1	01228-KA14
40	1 1/2	01232-KA14
50	2	01234-KA14

with position indicator, without solenoid: 012 . . -KA~~2~~4

with position indicator, with solenoid: 012 . . -KA~~4~~4 (specify control voltage)

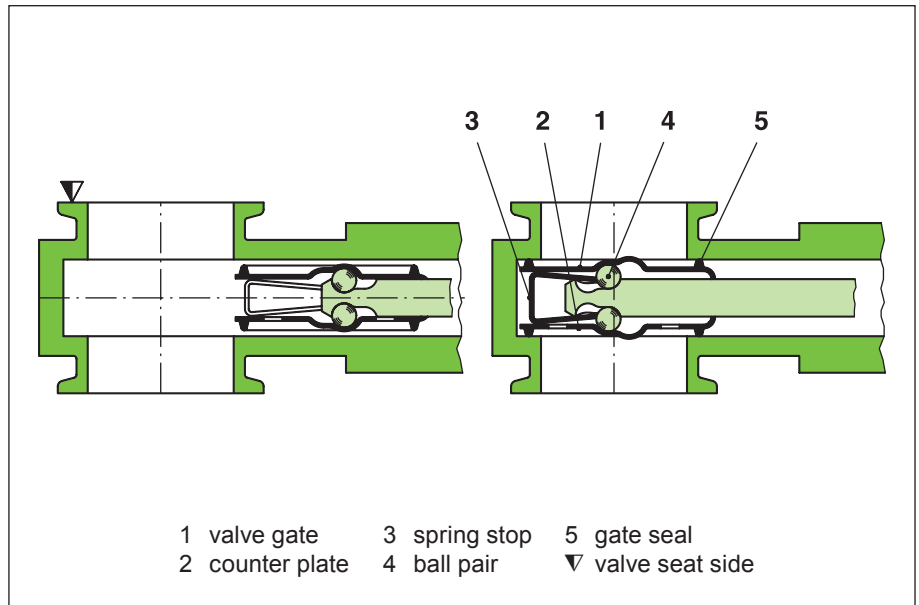
## Sealing materials

Gate: FKM (VITON)

Bonnet: FKM (VITON)

## Feedthrough

O-ring shaft seal



## Features

VATLOCK configuration (see glossary)

O-ring shaft seal

Vulcanized gate seal

## Technical data

Continued next page

Leak rate: body, valve seat	$< 1 \cdot 10^{-9}$ mbar ls <sup>-1</sup>
Pressure range	$1 \cdot 10^{-7}$ mbar to 1 bar (abs)
Differential pressure on the gate	$\leq 1$ bar in either direction
Differential pressure at opening	$\leq 30$ mbar
Cycles until first service	50000
Temperature <sup>1)</sup>	
- Valve body	$\leq 100^\circ\text{C}$
- Manual and pneumatic actuator	$\leq 80^\circ\text{C}$
- Position indicator	$\leq 80^\circ\text{C}$
- Solenoid	$\leq 50^\circ\text{C}$
Heating and cooling rate	$\leq 50^\circ\text{C h}^{-1}$
Material	
- Valve body	EN AW-6082 (3.2315)
- Gate	AISI 301 (1.4310)
Seal	
- Bonnet	FKM (VITON)
- Gate	FKM (VITON, vulcanized)
Mounting position	any
Solenoid	24 VDC, 5.4 W (others see «Options»)
Position indicator: contact rating	
- Voltage	$\leq 50$ VAC / DC
- Current	$\leq 0.5$ A
- Power	max. 10 W
Valve position	visual (mechanical)

<sup>1)</sup> Maximum values: depending on operating conditions and sealing materials

## Options

### Actuator:

- Solenoid for impulse actuation:  
actual valve position is maintained at power failure
- Solenoid separate, for external mounting
- Solenoid for 12, 48 VDC  
24, 48, 100, 115, 200, 230 V 50/60 Hz
- Manual emergency operation on solenoid lockable

### Valve:

- ISO-KF «quick» for fast mounting,  
with centering rings and clamp integrated into the valve body



### Ordering information for options:

Ordering No. of valve-X (e. g. 01232-KA44-X, X = solenoid for impulse actuation)

## Accessories

Fittings for installation of the valve: Series 31

## Seal kit

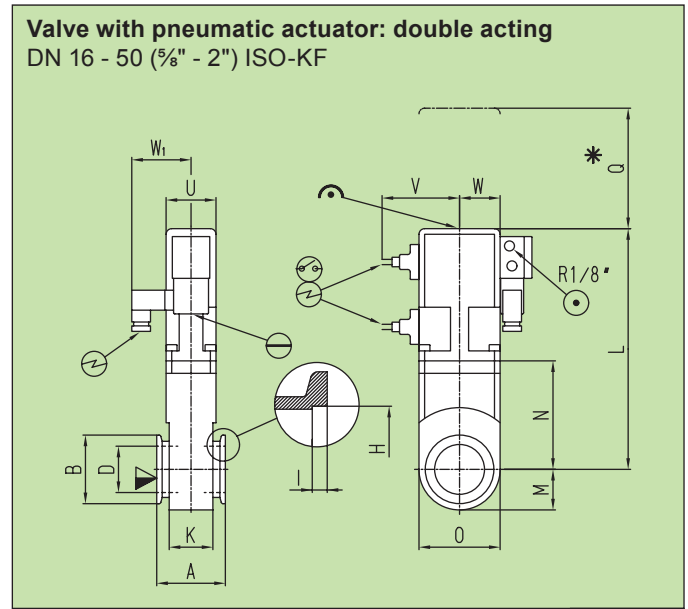
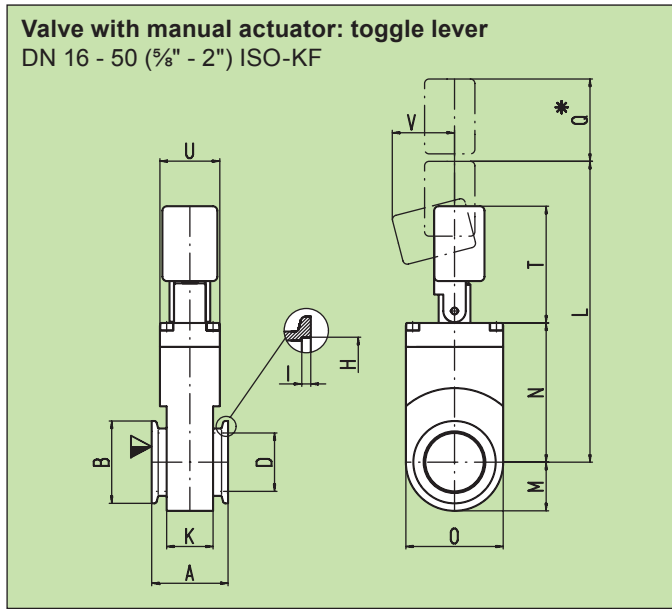
Consisting of gate with vulcanized seal, bonnet seal, and one set of lubricated locking balls

**Ordering No.:** see operating manual or price list

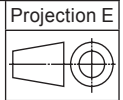
## Technical data

DN (nominal I. D.)		standard flanges ISO-F	molecular flow conductance	manual				pneumatic				
				weight		compressed air pressure min. - max. overpressure		volume of air cylinder		closing or opening time	weight	
mm	inch		ls <sup>-1</sup>	kg	lbs	bar	psi	l	ft <sup>3</sup>	s	kg	lbs
16	5/8	15	10	0.4	0.9	4.5 - 7	65 - 100	0.01	0.0004	0.8	0.8	1.8
25	1	25	34	0.4	0.9	4.5 - 7	65 - 100	0.03	0.001	1.1	0.8	1.8
40	1 1/2	40	140	0.7	1.5	4.5 - 7	65 - 100	0.07	0.002	1.2	1.2	2.7
50	2	50	260	0.7	1.5	4.5 - 7	65 - 100	0.07	0.002	1.3	1.2	2.7

## Dimensions



- ▽ valve seat side
- \* required for dismantling
- ⊖ emergency operation
- ⊙ compressed air connection
- ⊕ electrical connection
- ⊗ position indicator
- ⌚ mechanical position indication



DN	mm inch	16 5/8	25 1	40 1 1/2	50 2
A	mm inch	40 1.57	50 1.97	51 2.01	55 2.17
B	mm inch	30 1.18	40 1.57	55 2.17	75 2.95
D	mm inch	15 0.59	24 0.94	39 1.54	49 1.93
H	mm inch	17.2 0.68	26.2 1.03	41.2 1.62	52.2 2.06
I	mm inch	3 0.12	3 0.12	3 0.12	3 0.12
K	mm inch	25 0.98	32 1.26	31 1.22	33 1.3
L	mm inch	100 3.94	139 5.47	208 8.19	240 9.45
M	mm inch	15 0.59	22 0.87	32.5 1.28	37.5 1.48
N	mm inch	39 1.55	59 2.32	93 3.66	108 4.25
O	mm inch	30 1.18	44 1.73	65 2.56	75 2.95
Q	mm inch	25 0.98	35 1.38	55 2.17	65 2.56
T	mm inch	37 1.46	50 1.97	85 3.35	93 3.67
U	mm inch	25 0.98	32 1.26	40 1.57	40 1.57
V	mm inch	30 1.18	30 1.18	50 1.97	55 2.17

DN	mm inch	16 5/8	25 1	40 1 1/2	50 2
A	mm inch	40 1.57	50 1.97	51 2.01	55 2.17
B	mm inch	30 1.18	40 1.57	55 2.17	75 2.95
D	mm inch	15 0.59	24 0.94	39 1.54	49 1.93
H	mm inch	17.2 0.68	26.2 1.03	41.2 1.62	52.2 2.06
I	mm inch	3 0.12	3 0.12	3 0.12	3 0.12
K	mm inch	25 0.98	32 1.26	31 1.22	33 1.3
L	mm inch	105 4.13	136 5.35	196 7.72	220 8.66
M	mm inch	15 0.59	22 0.87	32.5 1.28	37.5 1.48
N	mm inch	39 1.55	56 2.2	88 3.46	103 4.06
O	mm inch	30 1.18	44 1.73	65 2.56	75 2.95
Q	mm inch	25 0.98	35 1.38	55 2.17	65 2.56
U	mm inch	25 0.98	32 1.26	40 1.57	40 1.57
V	mm inch	56 2.2	61 2.4	65 2.56	65 2.56
W	mm inch	55 2.17	60 2.36	61 2.4	66 2.6
W1	mm inch	50 1.97	50 1.97	50 1.97	50 1.97