

TM Temperature Control Valve



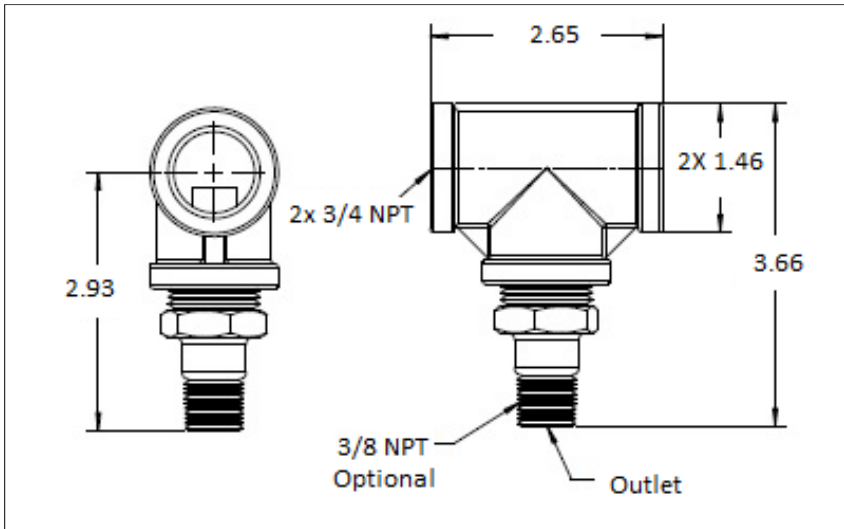
Design Features

Self Operated
Brass or Stainless Steel
Body and Components
Long life silicone plug seal
Corrosion resistant
Ogontz thermal actuator
Maximum operating
pressure 150 Psig [10.3 bar]

Benefits

Easy installation
Reliable, unattended operation
Minimal maintenance
Provides effective control

Specification and Ordering Information



Dimensions in inch

Various Applications In

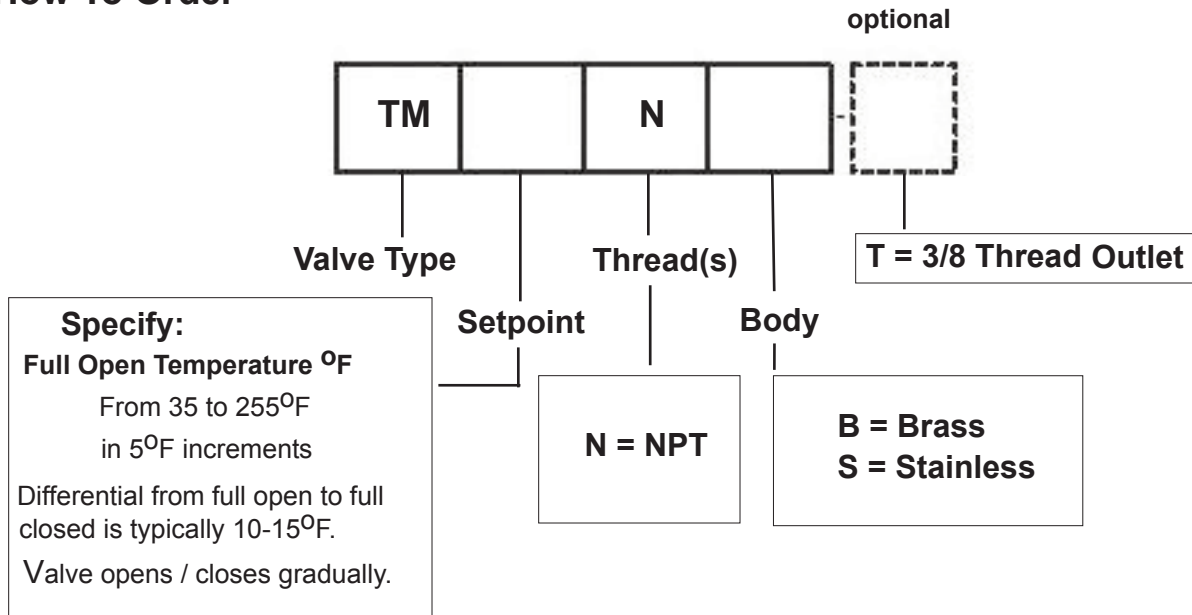
- Temperature control
- Freeze Protection
- Partial Bypass
- Bleed Off

Valve Operation

Example: Model TM35 starts to open when water temperature is 39°F [3.9°C]. Valve is fully open at 35°F [1.7°C]. As water temperature raises, valve starts to close, and is fully closed by 45°F [7.2°C].

Maximum Pressure psig [bar]	Maximum Temperature °F [°C]	Cv	Weight lb [Kg]
150 [10.3]	250 [121]	0.4	1 [0.45]

How To Order



The Ogontz Guarantee: We will repair or replace on a no-charge basis FOB Willow Grove, PA, any valve returned to us within 18 months, if found to be defective in material or workmanship.



2835 Terwood Road • Willow Grove, PA 19090 USA
 800/523-2478 • 215/657-4770 • Fax: 215/657-0460
 www.ogontz.com • info@ogontz.com

North America • South America • Europe • Asia
 Copyright Ogontz Corporation, 2013 • Bulletin TM-5-15