



Mini
Ball Valve



Product Description

- Size Range: 1/4" – 3/4"
- Pressure Rating: 1000 PSIG (69 BARG)
- Temperature Range: -20°F to 450°F (-29°C to 232°C)

Features & Benefits

- 2-Piece Design
- Panel mount capability
- 100% Helium leak tested to 1×10^{-7} atm•cc/sec
- Cleaned for Oxygen Service (CFOS)
- High cycle life performance
- Full port I.D. for minimum flow turbulence
- Inspected to meet Valox quality standards, and comes with a Certificate of Compliance to Valox specification SP-9229
- Nitrogen-purged and double polyethylene bagged
- ISO Class 5 cleanroom assembled, tested & packaged
- Lock-out bracket option available

Flow Coefficient

Valve Size	Flow Orifice	Cv ¹
1/4"	0.180"	2.9
3/8"	0.305"	9.0
1/2"	0.402"	16.3
3/4"	0.620"	41.2

1. Flow coefficient data calculated using methods described in Crane Technical Paper TP-410.

Materials of Construction

Item	Qty	Part	Material
A	1	HANDLE	GLASS FILLED NYLON
B	1	BODY NUT	SS
C	1	STEM NUT	316 SS
D	2	STEM WASHER	SS
E	3	PACKING	PTFE
F	1	STEM	316 SS
G	1	BODY	ASTM A351-CF8M
H	2	SEAT	TFM™ 1600 PTFE*
I	1	BALL	CF8M / 316 SS
J	1	GASKET	PTFE
K	1	ENDCAP	316 SS

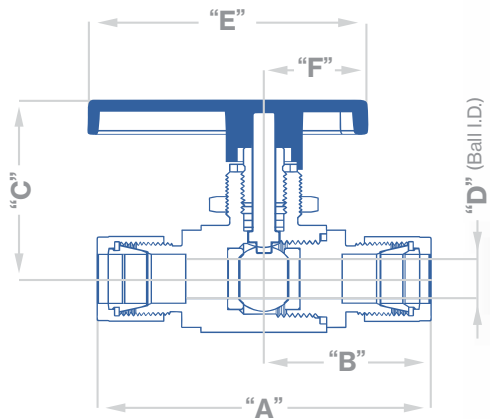
SS = Stainless Steel

* Dyneon and TFM are trademarks of Dyneon

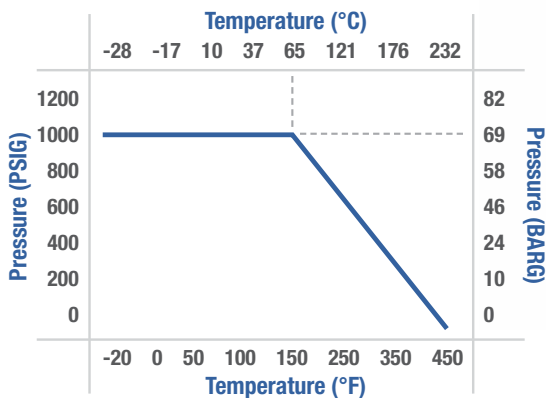
Dimensions Listed as Millimeters*

Size	"A"	"B"	"C"	"D"	"E"	"F"
1/4"	67.0	33.5	42.0	5.0	49.4	18.5
3/8"	77.2	38.6	45.0	7.8	59.5	24.5
1/2"	87.4	43.7	47.2	10.3	74.3	27.9
3/4"	98.0	49.0	48.2	12.0	74.3	27.9

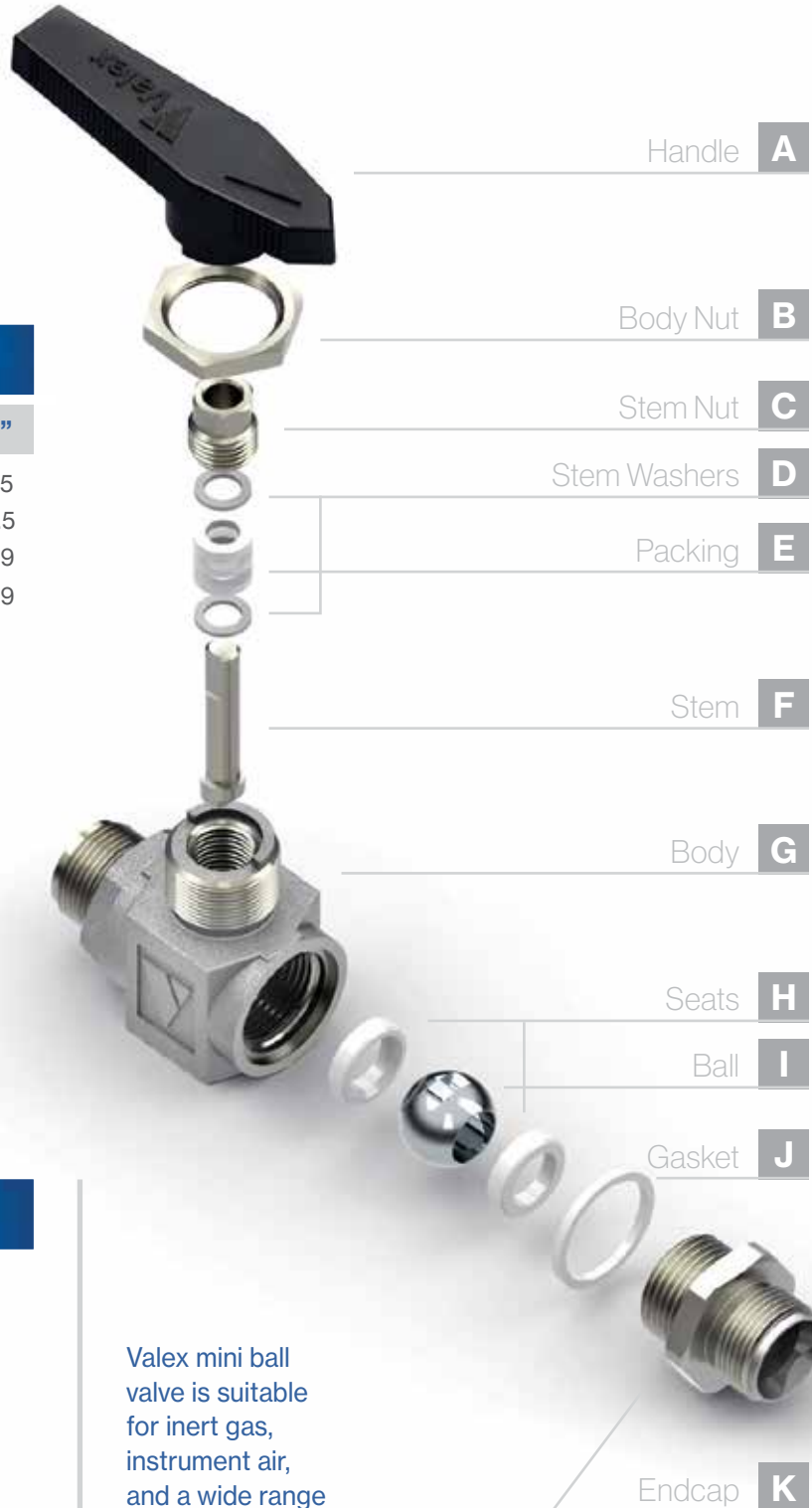
* Dimensions are applicable to compression fitting inlet and outlet (CC) configuration. Dimensions are approximate, may vary from valve to valve, and assumes compression nuts are finger tight.



Pressure Temperature Rating



Mini Ball Valve



Valex mini ball valve is suitable for inert gas, instrument air, and a wide range of industrial high purity applications.



Ordering Information

M - S T R 0 8 C C X X X X

M

Valve Series

M = Mini Ball Valve

S | T | R

Assembly Pattern

STR = Straight

0 | 8

Main Line Size

04 = 1/4"
 06 = 3/8"
 08 = 1/2"
 12 = 3/4"

C | C

Main Line End Connection

CC = Compression Fitting
 Inlet & Outlet
 CP = Compression Fitting Inlet,
 Compression Fitting Outlet
 w/ Plug

X | X

Branch Valve Size

XX = No Branch Valve(s)

X | X

Connection On Branch Valve(s)

XX = No Branch Valve(s)

(Optional)

Valve Lockout Device

Blank = No Lockout Device Installed
 L = Lockout Device Installed



Valex Corporate Offices & Manufacturing

Valex USA Corporate Headquarters

6080 Leland Street
 Ventura, CA 93003
 United States of America
 Phone: 805-658-0944

Valex USA Round Rock, TX

120 E. Old Settlers Blvd.
 Round Rock, TX 78664
 United States of America
 Phone: 512-212-8100

Valex USA Georgetown, TX

1805 Titan Dr.
 Georgetown, Texas 78628
 United States of America
 Phone: 737-340-4600

Valex Korea

32 Hansan-gil, Cheongbuk-eup
 Pyeongtaek-si, Gyeonggi-do
 Republic of Korea
 Phone: 82-31-683-0119

Valex China

No. 358 Zhonggang Road
 Xitangqiao Street
 Haiyan Economic Development Zone
 Zhejiang Province,
 P.R. China 314305
 Phone: 86-573-86868221

