

# 22-2200 Series

## Regulators - Pressure Reducing

D22221914X012

### Specifications

For other materials or modifications, please consult TESCOM.

#### OPERATING PARAMETERS

Pressure rating per criteria of ANSI/ASME B31.3

**Maximum Inlet Pressure**

250 psig / 17.2 bar

**Outlet Pressure Ranges**

30, 60, 100, and 150 psig

2.1, 4.1, 6.9, and 10.3 bar

**Design Proof Pressure**

150% maximum rated

**Design Burst Pressure**

400% maximum rated

**Inboard Leak Rate**

$2 \times 10^{-8}$  atm cc / sec PER ASTM E449

**Operating Temperature**

-40°F to 140°F / -40°C to 60°C

**Flow Capacity**

$C_v = 0.24$

#### MEDIA CONTACT MATERIALS

**Body**

316L Stainless Steel

**Diaphragm**

316 Stainless Steel

**Seat**

PCTFE or Teflon®

**Trim**

316 Stainless Steel

**Valve**

316 Stainless Steel

#### OTHER

**Internal Body Surface Finish**

25  $R_a$  microinch / 0.63 micrometer

**Connections**

Welded female, male VCR®

Tube stubs or compression type

High Purity Internal Connections (H.P.I.C.)

(Internal style of VCR®, compatible with male swivel VCR®)

**Internal Body Surface Finish**

25  $R_a$  microinch / 0.63 micrometer

**Cleaning**

DI water electronic grade cleaned

**Weight (without gauges)**

2.0 lbs / 1 kg

Teflon® is a registered trademark of E.I. du Pont de Nemours and Company

VCR® is a registered trademark of Cajon Co.



TESCOM 22-2200 Series high purity BA Grade pressure reducing regulator provides 316 Stainless Steel construction with 25  $R_a$  surface finish and is electronic grade cleaned. Inlet pressure is 250 psig / 17.2 bar with outlet pressures up to 150 psig / 10.3 bar.

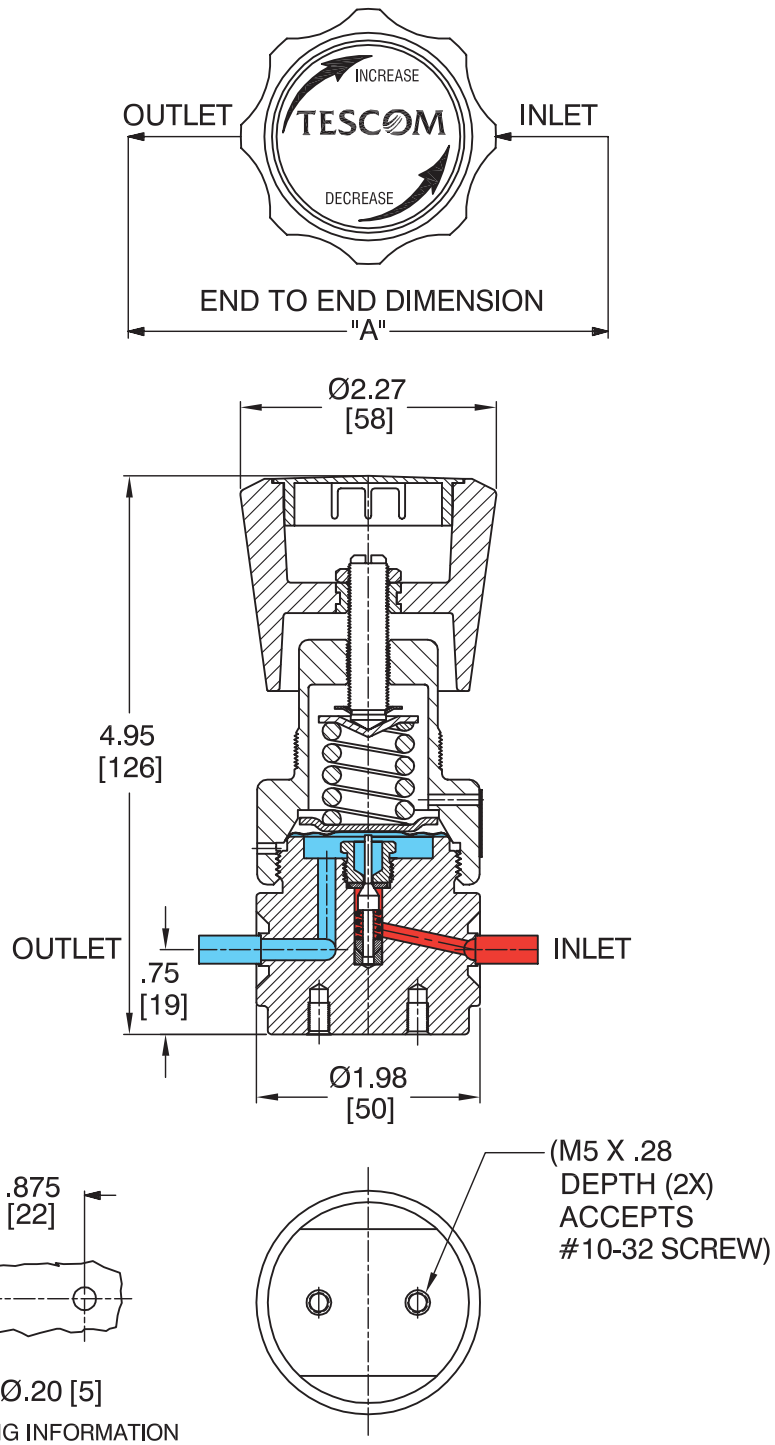
### Applications

- Regulating corrosive and specialty gases
- Gas and liquid chromatography
- Sampling systems
- Research labs
- Instrumentation

### Features and Benefits

- Metal-to-metal diaphragm to seal for high leak integrity
- 3.5 SCFM / 100 SLPM flow capacity
- Welded VCR®, tube stubs and compression fittings are available
- Enhanced cleanliness and reduced leak rates - a substantial improvement over the conventional NPTF product

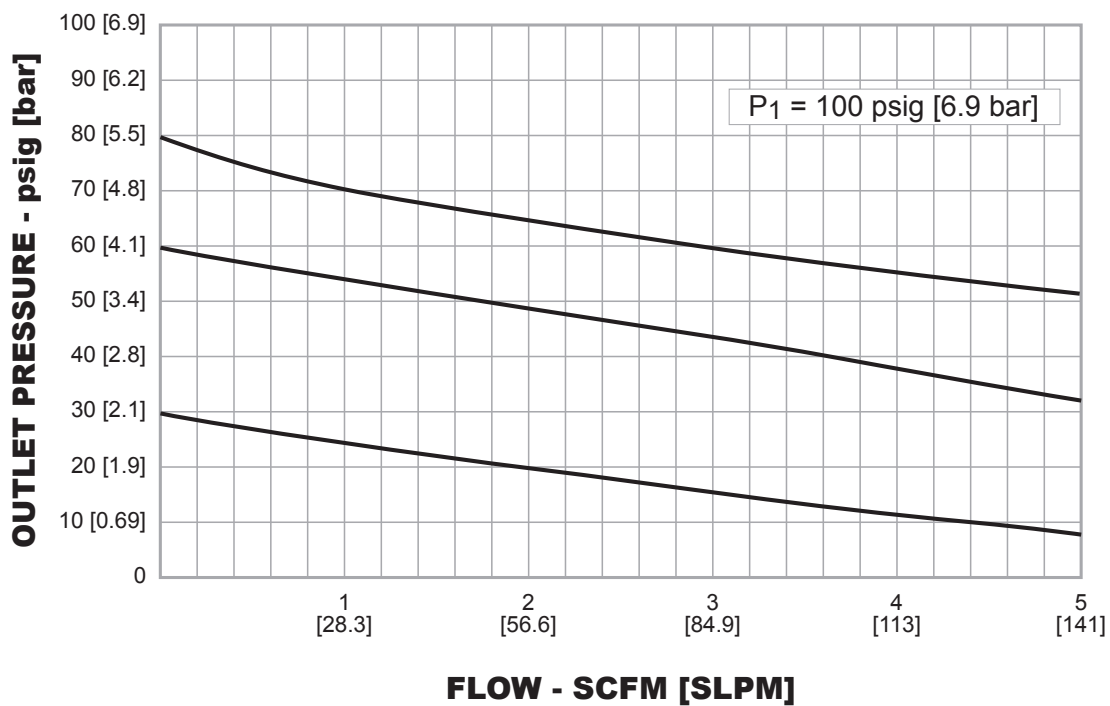
22-2200 Series Regulator Drawing



All dimensions are reference & nominal  
Metric [millimeter] equivalents are in brackets

## 22-2200 Series Regulator Flow Chart


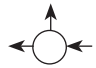
For more information on how to read flow curves, please refer to the Flow Curves and Calculations document (debul2007x012) in the TESCOM catalog or on [www.tescom.com](http://www.tescom.com).



## 22-2200 Series Regulator Part Number Selector

Repair Kits, Accessories & Modifications may be available for this product. Please contact TESCOM for more information.

Example for selecting a part number:

22-22	4	3	K	RM		2	0
BASIC SERIES	BODY MATERIAL AND FINISH	OUTLET PRESSURE	SEAT MATERIAL	INLET AND OUTLET PORT SIZE AND TYPE	'A' ± 0.06"	INLET PRESSURE TRIM MATERIAL FLOW CAPACITY	PORTING CONFIGURATION GAUGE PORT TYPE
22-22	4 - 316L Stainless Steel 25 R <sub>a</sub>	0 - 30 psig 2.1 bar 1 - 60 psig 4.1 bar 2 - 100 psig 6.9 bar 3 - 150 psig 10.3 bar	K - PCTFE T - Teflon®	A4 - 1/4" H.P.I.C T4 - 1/4" O.D. Tube T6 - 3/8" O.D. Tube T8 - 1/2" O.D. Tube RM - 1/4" Male Swivel RT - 1/4" Female Swivel RK - 1/2" Male Swivel RL - 1/2" Female Swivel RU - IN Port: 1/4" Male Swivel OUT Port: 1/4" Female Swivel RV - IN Port: 1/4" Female Swivel OUT Port: 1/4" Male Swivel C4 - 1/4" Compression C6 - 3/8" Compression	1.09" 3.50" 3.50" 3.50" 3.70" 3.70" 4.75" 4.75" 3.70" 3.70" 4.97" 5.99"	2 - 250 psig 17.2 bar 316 Stainless Steel C <sub>v</sub> = 0.24	 0 - No gauge ports  2 - 1/4" H.P.I.C. - A B - 1/4" NPTF S - 1/4" MVCR, Fixed 7 - 1/4" FVCR



**WARNING!** Do not attempt to select, install, use or maintain this product until you have read and fully understood the TESCOM Safety, Installation and Operation Precautions.

D22221914X012 © 2012 Emerson Process Management Regulator Technologies, Inc. All rights reserved. 05/2012.  
 Tescom, Emerson Process Management, and the Emerson Process Management design are marks of one of the Emerson Process Management group of companies. All other marks are the property of their respective owners.