

CTV Steam Trap

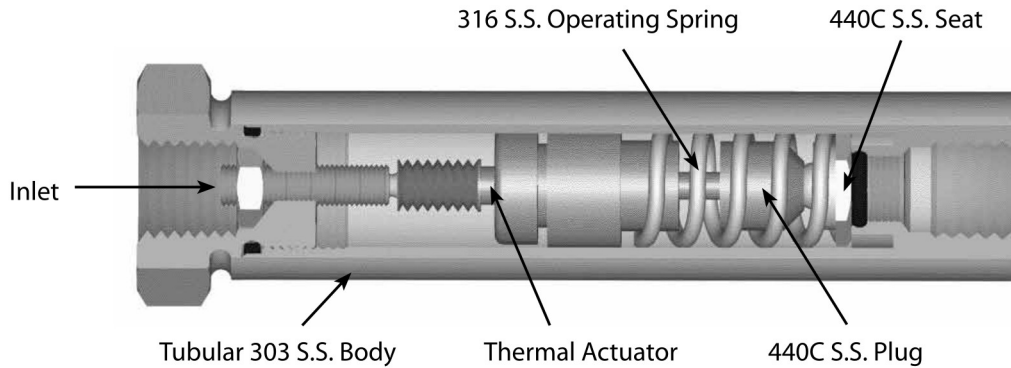


Design Features:

- 200 PSIG (Maximum Operating Pressure)
- Conserves Energy
- Minimizes Flash and Live Steam Losses
- Freeze Protected—Self Draining
- Maintains Temperature Set Point at Any Pressure
- Back Pressure Insensitive
- Throttles Down to 1/2 Pound Per Hour for Extremely Light Loads
- 100% Factory Tested



Specification and Ordering Information



Inlet NPT	Outlet NPT	Operating Pressure (PSIG)	Cv	Standard Set Points	Weight	Body Material
1/2"	1/2"	200	0.17	60°F (15.56°C) 100°F (37.78°C) 120°F (48.89°C)	0.75	Tubular Stainless Steel
3/4"	3/4"	200	0.17	180°F (82.22°C) 240°F (115.56°C)	1.00	Tubular Stainless Steel

Flow Coefficient CV at Set Point

Other Temperature Set Points available. Consult local distributor

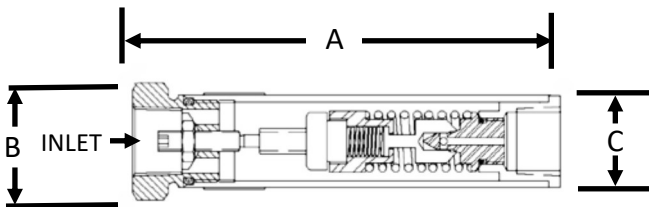
Note: To be used in saturated steam systems only

HOW TO ORDER

Inlet/Outlet NPT Size

X	CTV	X	B	D	T
---	-----	---	---	---	---

Desired Condensate Discharge Temperature



INLET	A	B (HEX)	C
1/2"	5.25"	1.25"	1.12"
3/4"	6.00"	1.38"	1.25"

Actual temperature settings would depend upon the requirements and variables of your specific application. A 180°F setting, for example, is ideal for most winterization systems; a 240°F setting is suggested for most process tracing and drip legs. For impulse and sample lines, a 60°F or 120°F setting could be used.

NOTE: Valve will slowly actuate within a 15°F differential of specific setpoint.

The Ogontz Guarantee: We will repair or replace on a no-charge basis, FOB Willow Grove, PA, any valve or trap returned to us within 18 months, if found to be defective in material or workmanship.

235 Terwood Road, Willow Grove, PA 19040 USA

(800) 523-2478 - (215) 657-4770 – Fax (215) 657-0450

Www.ogontz.com — info@ogontz.com