

## CONSIEVE® UET TFF CASSETTES, AND STAINLESS STEEL HOLDERS

Consieve® UET Tangential Flow Filtration (TFF) Cassette membranes have high retention efficiency and are easy to clean/install. The cassettes are available in a wide range of configurations. Due to their design, it is easy to amplify/increase cassette stacking to meet specific process requirements. The inner gaskets make installation/cleaning/storage/replacement quick and easy. The configurable low working volume and high efficiency ensure cost-effective product yields.

Stainless steel holders and complete custom systems enable use of the TFF cassettes to meet a multitude of process and application requirements.



### APPLICATIONS

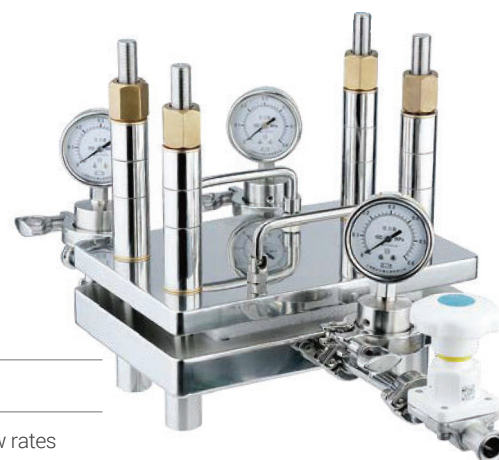
- Biomacromolecules
- Dialysis
- Desalting
- Buffer replacement
- Analysis purification
- Endotoxin removal
- Macromolecular removal

### FIELDS

- Blood products
- Vaccines
- Recombinant proteins
- Monoterpenes
- Plasmids
- Chemicals
- Medicine injections

### SPECIFICATIONS

<b>Membrane</b>	Polyethersulfone (PES)
<b>Material Features</b>	Low protein binding and high product yield with superior flow rates
<b>PH Range</b>	Broad chemical compatibility: pH 1-14
<b>NMWL</b>	5/8/10/30/100KD (KiloDalton)
<b>Operating Temperature Range</b>	4 - 50°C
<b>Max. Operating Pressure</b>	0.6 MPa (6.0 bar, 87 psi) at 25°C
<b>Diffusion Flow (air)</b>	LA010: 0.11 m <sup>2</sup> ≤12 ml/min@ 0.1 MPa (1.0 bar, 14.5 psi) FL050: 0.46 m <sup>2</sup> ≤50 ml/min@ 0.1 MPa (1.0 bar, 14.5 psi)
<b>Pressure Drop</b>	0.3 MPa (3.0 bar, 43.5 psi) to 0.6 MPa (6.0 bar, 87 psi) (Circulation Flow Rate 6L/min/m <sup>2</sup> )



TYPES	AVAILABLE SIZES	APPLICATIONS	THROUGHPUT	NOTES
<b>LA (Lab)</b>	100 cm <sup>2</sup> 0.11 m <sup>2</sup>	R&D R&D, Pilot Production	200-2000ml 5-50L	Membrane Cassette; Stainless Steel Holder required
<b>FL (Flow)</b>	0.46 cm <sup>2</sup> 2.33 m <sup>2</sup>	Pilot Production, Large Scale Production Pilot Production, Large Scale Production	> 50L > 50L	

**CONSIEVE UET TFF CASSETTES - ORDERING INFORMATION**

EXAMPLE: **UFELA0005001P** = PES, Lab format, 5KD, 100 cm<sup>2</sup>, (0.01m<sup>2</sup>)

**UF**



**Membrane**  
E = PES



**Format**  
LA = Lab, Pilot Production  
FL = Flow, Pilot Production, Large Scale Production

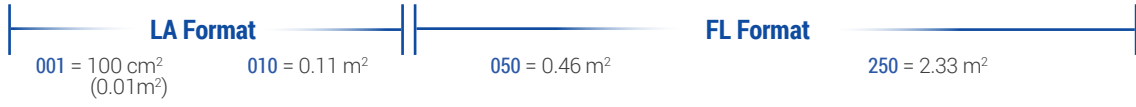


**Nominal Molecular Weight Limit (NMWL)**  
0005 = 5 KD  
0008 = 8 KD  
0010 = 10 KD  
0030 = 30 KD  
0050 = 50 KD  
0100 = 100 KD



**P**

**Effective Filtration Area**  
LA Format:  
001 = 100 cm<sup>2</sup> (0.01m<sup>2</sup>)  
010 = 0.11 m<sup>2</sup>  
FL Format:  
050 = 0.46 m<sup>2</sup>  
250 = 2.33 m<sup>2</sup>



**TFF SYSTEMS**

Cobetter is able to design TFF systems based on customer specifications and requirements for pilot labs and process systems.



## CONSIGVEE STAINLESS STEEL HOLDERS - ORDERING INFORMATION

EXAMPLE: **H-CFH01ST15SAXP** = 0.1m<sup>2</sup>, 316L, 3/4" Tri Clamp, with silicone seals, mirror polish, and design pressure of 0.6 Mpa

**H-CFH**



**Effective Filtration Area**

01 = 0.1 m<sup>2</sup> (LA Format)

05 = 0.5 m<sup>2</sup> (FL Format)

**S**

**Filter Plate Material**

S = 316L



**I/O**

T15 = 1/2" Tri Clamp (DN15)

T20 = 3/4" Tri Clamp (DN20)

T38 = 1.5" Tri Clamp (DN38)

**S**

**Seals**

S = Silicone

**A**

**Surface Finish**

A = Mirror Polish

**X**

**Design Pressure**

X = 0.6 Mpa (87 psi)

**Application**

P = Pharmaceutical

F = Food and Beverage

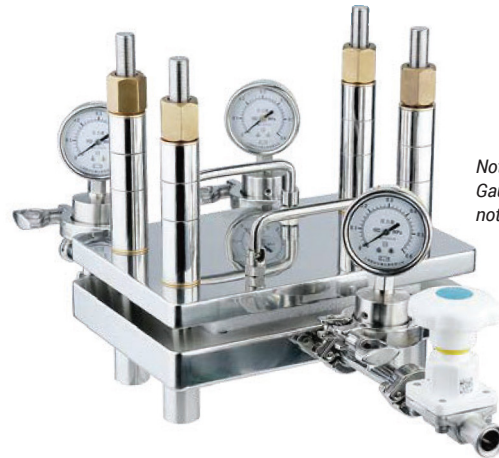


### SIZE A HOLDER

**Holds Cassettes Sizes:** LA Format 001 & 010

**Weight:** 5 kg (11 lb)

Note: Can hold up to 5, 010 (0.11m<sup>2</sup>) units.



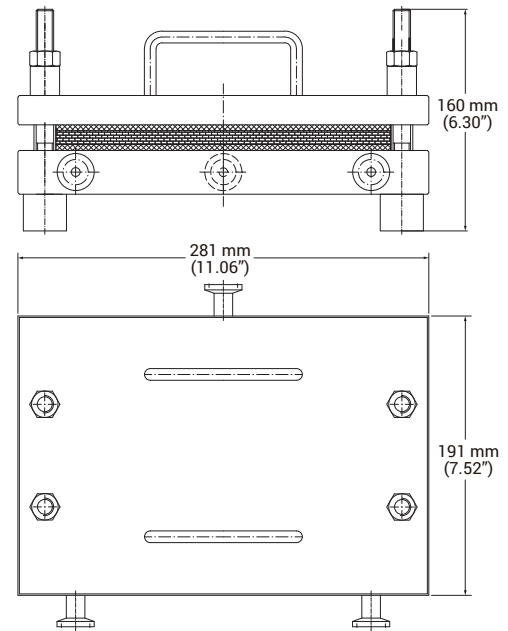
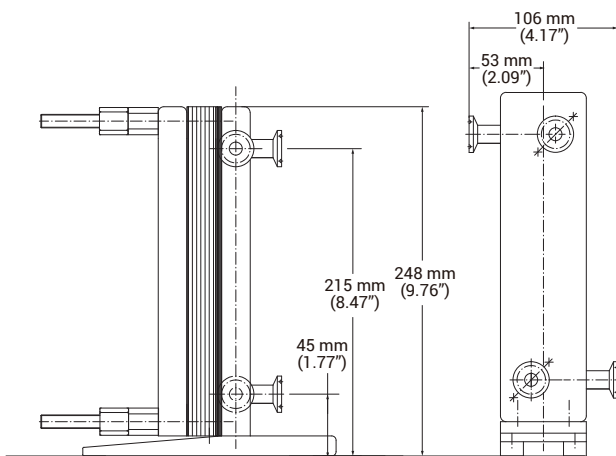
Note:  
Gauges and valves  
not included

### SIZE B HOLDER

**Holds Cassettes Sizes:** FL Format 050 & 250

**Weight:** 24 kg (53 lb)

Note: Can hold up to 5, 050 (0.46m<sup>2</sup>) units.



BANNER INDUSTRIES IS THE EXCLUSIVE DISTRIBUTOR FOR COBETTER PRODUCTS IN THE USA  
Visit [www.bannerindustries.com](http://www.bannerindustries.com) and select the Contact Us link to find the location nearest you. The Banner Industries of N.E., Inc. Terms and Conditions of Sale apply and are fully and expressly incorporated herein by reference and constitute a part of any contract for the purchase of the products described herein.

[www.bannerindustries.com](http://www.bannerindustries.com) | Technical Sales: [filtration@bannerindustries.com](mailto:filtration@bannerindustries.com)

CBBPP1124 Rev. 11292020

Copyright © 2020 Banner Industries, Inc. All rights reserved.  
Consiveel® is a registered trademark of Cobetter Filtration Equipment Co., Ltd