

SteriPS® FILTER CARTRIDGES

HYDROPHILIC PES MEMBRANE FILTERS DESIGNED FOR RELIABLE PERFORMANCE AT AN ECONOMICAL COST

SteriPS® Filter Cartridges are specially designed to provide a reliable sterilization solution at an economical cost. Hydrophilic PES membrane cartridges require no pre-wetting and are ready to use. In addition, these filters provide excellent performance for pharmaceutical applications.

FEATURE	BENEFIT
Hydrophilic PES membrane	Requires no pre-wetting
	Low diffusion flow
	High surface area provides excellent flow rates and extended service life while maintaining high bacteria removal efficiency
	Low protein binding

QUALITY STANDARDS

Quality Assurance	These products are manufactured in a facility which adheres to ISO 9001:2015 Practices. 100% Integrity tested and Lot traceable.
Bacterial Retention	Retention of 10 ⁷ cfu/cm ² <i>Brevundimonas diminuta</i> (ATCC® 19146) according to ASTM F838 for ≤ 0.2µm.
TOC / Conductivity at 25°C	Autoclaved filter effluent meets the USP <643> for Total Organic Carbon and USP <645> for Water Conductivity per WFI requirements after a UPW flush
Particle Shedding	Autoclaved filter effluent meets the requirements in USP <788> for large volume parenterals/injections
Non-Fiber Releasing	Component materials meet the criteria for a "Non-fiber-releasing filter" as defined in 21 CFR 210.3 (b) (6)
Bacterial Endotoxin	Aqueous extraction of autoclaved filter contains < 0.25 EU/mL as determined by Limulus; Amebocyte Lysate (LAL), USP <85>
USP <87> Cytotoxicity	Meet the requirement of USP <87> In Vitro Cytotoxicity Test
USP <88> Biological Toxicity	Meet the criteria of the USP <88> Biological Reactivity Test for Class VI-121°C plastics.
Indirect Food Additive	All component materials meet the FDA Indirect Food Additive requirements cited in 21 CFR 177–182.

SPECIFICATIONS

Filter media	PES membrane (single layer) (Symmetric)
Supports/core/cage/end caps	Polypropylene
Effective filtration area	0.58m ² (6.2 ft ²)/ Ø69-10 inch
O-rings	Silicone, EPDM, FKM, FEP/PFA encapsulated FKM

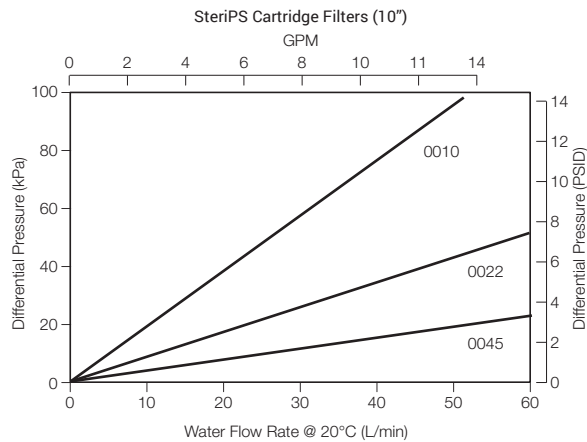


Typical Applications

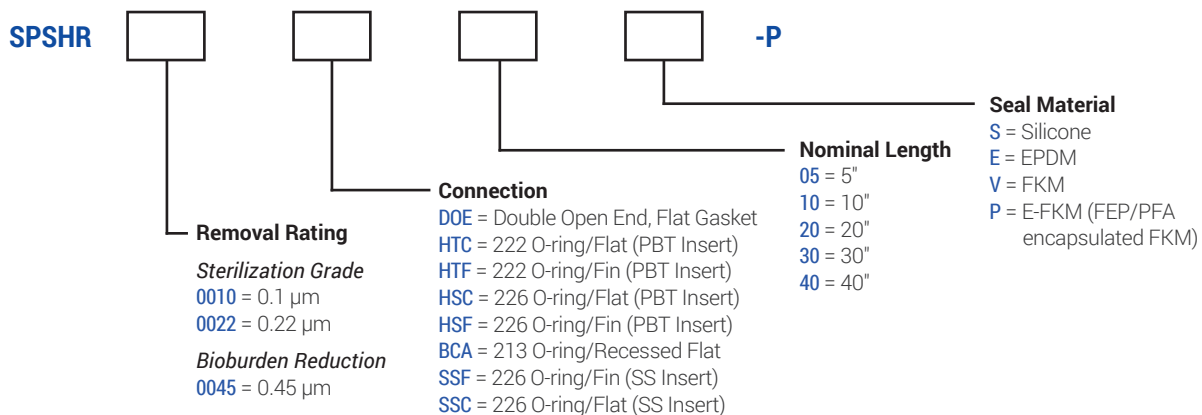
- Antibiotics
- LVP & SVP
- Large Batch Solutions
- Cleaning and Disinfectant Liquids

O-ring internal insert	PBT
Cartridge diameter	69 mm (2.7 in.)
Max. Operating pressure	0.69 MPa (6.9 bar, 100 psi) at 25°C; 0.40 MPa (4.0 bar, 58 psi) at 60°C; 0.24 MPa (2.4 bar, 35 psi) at 80°C
Max. Differential pressure	Forward: 0.69 MPa (6.9 bar, 100 psi) at 25°C; 0.40 MPa (4.0 bar, 58 psi) at 60°C; 0.24 MPa (2.4 bar, 35 psi) at 80°C Reverse: 0.3 MPa (3.0 bar, 44 psi) at 25°C; 0.1 MPa (1.0 bar, 15 psi) at 80°C
Bubble point	0.38 MPa (3.8 bar, 55 psi) wetted with water of 20°C, 0.1 µm 0.32 MPa (3.2 bar, 46 psi) wetted with water of 20°C, 0.22 µm 0.20 MPa (2.0 bar, 29 psi) wetted with water of 20°C, 0.45 µm
Steam sterilization	up to 100 cycles for 30 minutes at 135°C at Max.Differential Pressure of 0.3 bar (4.3 psi)
Autoclave	up to 200 cycles for 30 minutes at 130°C

FLOW RATES



EXAMPLE: **SPSHR0022HSF10S-P** = 0.22 µm, 226/Fin, 10" filter with silicone seals



BANNER INDUSTRIES IS THE EXCLUSIVE DISTRIBUTOR FOR COBETTER PRODUCTS IN THE USA
 Visit www.bannerindustries.com and select the Contact Us link to find the location nearest you. The Banner Industries of N.E., Inc. Terms and Conditions of Sale apply and are fully and expressly incorporated herein by reference and constitute a part of any contract for the purchase of the products described herein.

CBBPP1018 Rev. 07192022
 Copyright © 2022 Banner Industries, Inc. All rights reserved.
 SteriPS® is a registered trademark of Cobetter Filtration Equipment Co., Ltd.