

POLIFLOW® FILTER CARTRIDGES

ALL-POLYPROPYLENE MEDIA FOR PRE-FILTRATION OF LIQUIDS

PoliFlow® Filter Cartridges are composed entirely of pleated polypropylene microfiber which provides great filtration performance with a low cost. Characteristics include high flow rates, high contaminant holding capacity and filtration efficiency making it the ideal solution for the pre-filtration of liquids.

FEATURE	BENEFIT
All Polypropylene construction	Broad chemical compatibility makes it suitable for acids, bases, and solvents
	High filtration efficiency
	Pleated surface area provides superior flow rate and extended service life
	100% thermally-welded design eliminates the need for adhesives which can be a contamination source
	Available in nominal ratings from 0.2µm to 25µm for precise particle removal

QUALITY STANDARDS

Quality Assurance	These products are manufactured in a facility which adheres to ISO 9001:2015 Practices.
TOC / Conductivity at 25°C	Autoclaved filter effluent meets the USP <643> for Total Organic Carbon and USP <645> for Water Conductivity per WFI requirements after a UPW flush of specified volume.
Particle Shedding	Autoclaved filter effluent meets the requirements in USP <788> for large volume injections.
Non-Fiber Releasing	Component materials meet the criteria for a "Non-fiber-releasing filter" as defined in 21 CFR 210.3 (b) (6)
Bacterial Endotoxin	Aqueous extraction of autoclaved filter contains < 0.25 EU/mL as determined by Limulus Amebocyte Lysate (LAL), USP <85>.
USP <87> Cytotoxicity	Meet the requirement of USP <87> In Vitro Cytotoxicity Test
USP <88> Biological Toxicity	Meet the criteria of the USP <88> Biological Reactivity Test for Class VI-121°C plastics
Indirect Food Additive	All component materials meet the FDA Indirect Food Additive requirements cited in 21 CFR 177-182, and EU framework regulation [1935/2004/EC].

SPECIFICATIONS

Filter media	Polypropylene (microfiber)
Support/core/cage/end caps	Polypropylene
Effective filtration area	0.51 - 0.61m ² (5.5 - 6.6 ft ²)/ Ø69-10 inch

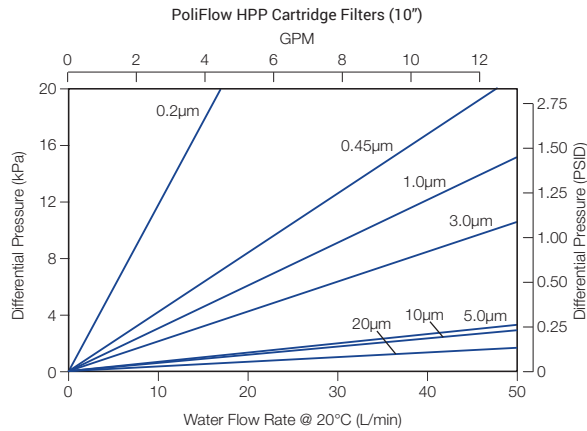


Typical Applications

- Process Water
- RO Water Pre-Filtration
- Clarification

O-rings	Silicone, EPDM, FKM
O-ring internal insert	PBT
Cartridge diameter	69 mm (2.7 in.)
Max. Operating pressure	0.69 MPa (6.9 bar, 100 psi) at 25°C; 0.40 MPa (4.0 bar, 58 psi) at 60°C; 0.24 MPa (2.4 bar, 35 psi) at 80°C
Max. Differential pressure	Forward: 0.69 MPa (6.9 bar, 100 psi) at 25°C; 0.40 MPa (4.0 bar, 58 psi) at 60°C; 0.24 MPa (2.4 bar, 35 psi) at 80°C Reverse: 0.3 MPa (3.0 bar, 44 psi) at 25°C; 0.1 MPa (1.0 bar, 15 psi) at 80°C
Steam sterilization	up to 20 cycles for 30 minutes at 135°C at Max. Differential Pressure of 0.3 bar (4.3 psi)

FLOW RATES

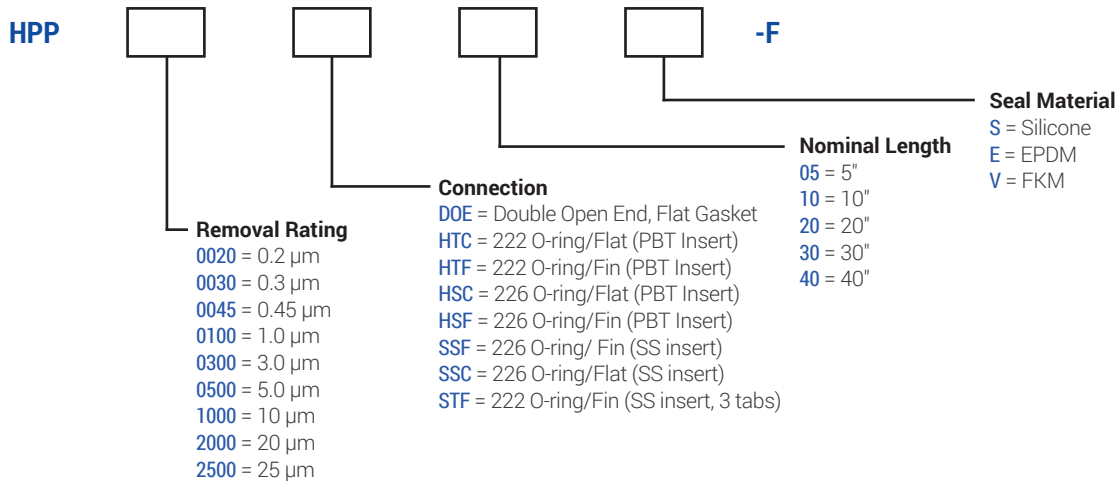


RETENTION

Specification	Retention Rate (%)				
	1.0 µm	3.0 µm	5.0 µm	10 µm	20 µm
HPP0020	≥ 99.90	≥ 99.90	≥ 99.90	≥ 99.90	≥ 99.90
HPP0045	≥ 99.00	≥ 99.50	≥ 99.90	≥ 99.90	≥ 99.90
HPP0100	≥ 90.00	≥ 95.00	≥ 99.00	≥ 99.50	≥ 99.90
HPP0300	-	≥ 90.00	≥ 95.00	≥ 99.00	≥ 99.50
HPP0500	-	-	≥ 90.00	≥ 95.00	≥ 99.00
HPP1000	-	-	-	≥ 90.00	≥ 95.00
HPP2000	-	-	-	-	≥ 90.00

ORDERING INFORMATION

EXAMPLE: **HPP045HSF10S-F** = 0.45 µm, 226 O-ring/Fin with PBT insert, 10 inch, silicone seals



BANNER INDUSTRIES IS THE EXCLUSIVE DISTRIBUTOR FOR COBETTER PRODUCTS IN THE USA
Visit www.bannerindustries.com and select the Contact Us link to find the location nearest you. The Banner Industries of N.E., Inc. Terms and Conditions of Sale apply and are fully and expressly incorporated herein by reference and constitute a part of any contract for the purchase of the products described herein.

www.bannerindustries.com | Technical Sales: filtration@bannerindustries.com

CBBPP1099 Rev. 06032020
Copyright © 2020 Banner Industries, Inc. All rights reserved.
PoliFlow® is a registered trademark of Cobetter Filtration Equipment Co., Ltd.