

POLIFLOW® FILTER CARTRIDGES

ALL-POLYPROPYLENE MEDIA FOR PRE-FILTRATION OF LIQUIDS

PoliFlow® Filter Cartridges are composed entirely of pleated polypropylene microfiber which provides great filtration performance with a low cost. Characteristics include high flow rates, high contaminant holding capacity and filtration efficiency making it the ideal solution for the pre-filtration of liquids.

| FEATURE | BENEFIT |
|---------------------------------------|--|
| All Polypropylene construction | Broad chemical compatibility makes it suitable for acids, bases, and solvents |
| | High filtration efficiency |
| | Pleated surface area provides superior flow rate and extended service life |
| | 100% thermally-welded design eliminates the need for adhesives which can be a contamination source |
| | Available in nominal ratings from 0.2µm to 25µm for precise particle removal |

QUALITY STANDARDS

| | |
|-------------------------------|---|
| Quality Assurance | These products are manufactured in a facility which adheres to ISO 9001:2015 Practices. |
| Particle Shedding | Autoclaved filter effluent meets the requirements in USP <788> for large volume injections. |
| Non-Fiber Releasing | Component materials meet the criteria for a "Non-fiber-releasing filter" as defined in 21 CFR 210.3 (b) (6) |
| Indirect Food Additive | All component materials meet the FDA Indirect Food Additive requirements cited in 21 CFR 177-182, and EU framework regulation [1935/2004/EC]. |

SPECIFICATIONS

| | |
|-----------------------------------|---|
| Filter media | Polypropylene (microfiber) |
| Support/core/cage/end caps | Polypropylene |
| Effective filtration area | 0.51 - 0.61m ² (5.5 - 6.6 ft ²)/ Ø69-10 inch |
| O-rings | Silicone, EPDM, FKM |
| O-ring internal insert | PBT |
| Cartridge diameter | 69 mm (2.7 in.) |
| Max. Operating pressure | 0.69 MPa (6.9 bar, 100 psi) at 25°C; 0.40 MPa (4.0 bar, 58 psi) at 60°C; 0.24 MPa (2.4 bar, 35 psi) at 80°C |



Typical Applications

- Water
- Clarification
- Ink
- Industrial
- Gas

Max. Differential pressure

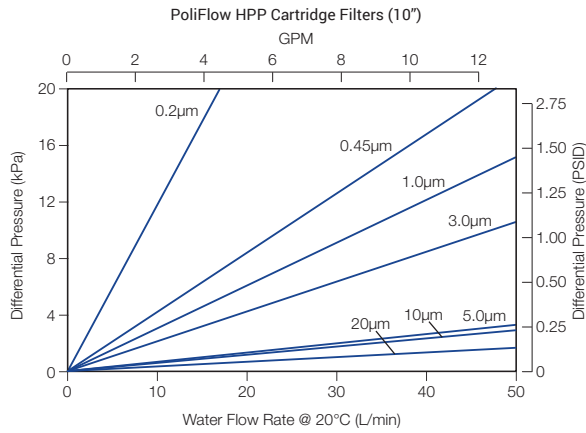
Forward: 0.69 MPa (6.9 bar, 100 psi) at 25°C; 0.40 MPa (4.0 bar, 58 psi) at 60°C;
0.24 MPa (2.4 bar, 35 psi) at 80°C

Reverse: 0.3 MPa (3.0 bar, 44 psi) at 25°C; 0.1 MPa (1.0 bar, 15 psi) at 80°C

Steam sterilization

up to 20 cycles for 30 minutes at 135°C at Max.Differential Pressure of 0.3 bar (4.3 psi)

FLOW RATES

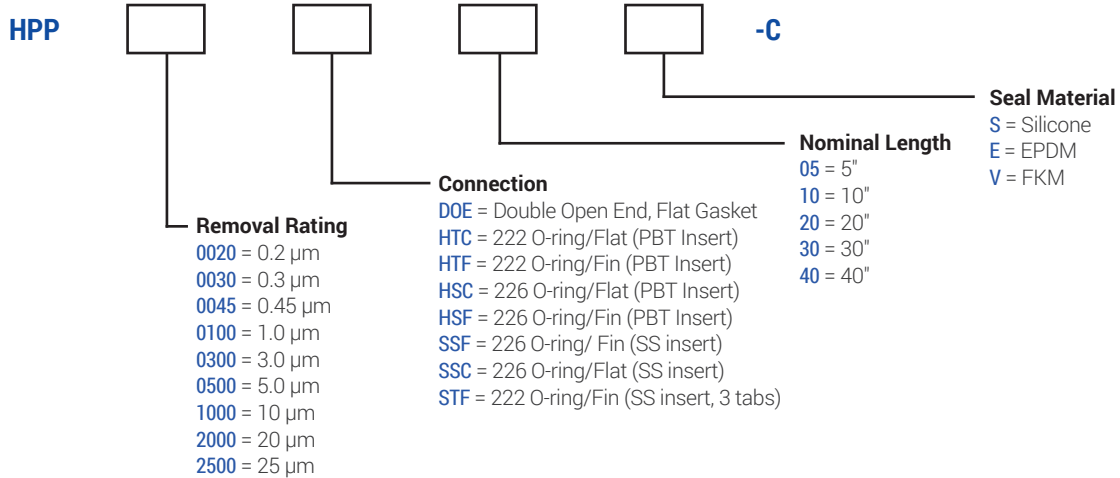


RETENTION (LIQUID)

| Specification | Retention Rate (%) | | | | |
|----------------|--------------------|---------|---------|---------|---------|
| | 1.0 µm | 3.0 µm | 5.0 µm | 10 µm | 20 µm |
| HPP0020 | ≥ 99.90 | ≥ 99.90 | ≥ 99.90 | ≥ 99.90 | ≥ 99.90 |
| HPP0045 | ≥ 99.00 | ≥ 99.50 | ≥ 99.90 | ≥ 99.90 | ≥ 99.90 |
| HPP0100 | ≥ 90.00 | ≥ 95.00 | ≥ 99.00 | ≥ 99.50 | ≥ 99.90 |
| HPP0300 | - | ≥ 90.00 | ≥ 95.00 | ≥ 99.00 | ≥ 99.50 |
| HPP0500 | - | - | ≥ 90.00 | ≥ 95.00 | ≥ 99.00 |
| HPP1000 | - | - | - | ≥ 90.00 | ≥ 95.00 |
| HPP2000 | - | - | - | - | ≥ 90.00 |

ORDERING INFORMATION

EXAMPLE: **HPP045HSF10S-C** = 0.45 µm, 226 O-ring/Fin with PBT insert, 10 inch, silicone seals



BANNER INDUSTRIES IS THE EXCLUSIVE DISTRIBUTOR FOR COBETTER PRODUCTS IN THE USA
 Visit www.bannerindustries.com and select the Contact Us link to find the location nearest you. The Banner Industries of N.E., Inc. Terms and Conditions of Sale apply and are fully and expressly incorporated herein by reference and constitute a part of any contract for the purchase of the products described herein.

CBBPP1135 Rev. 06032020
 Copyright © 2020 Banner Industries, Inc. All rights reserved.
 PoliFlow® is a registered trademark of Cobetter Filtration Equipment Co., Ltd.