

H-TMF STAINLESS STEEL SANITARY MEMBRANE HOLDERS

Ideal for Laboratory Testing, Sanitary Grade
Vacuum Filtration

H-TMF STAINLESS STEEL MEMBRANE HOLDERS

FOR A VARIETY OF INDUSTRIAL AND SANITARY APPLICATIONS

Cobetter H-TMF Stainless Steel Membrane Holders are designed to meet GMP standards and cleanliness. Each component can be completely disassembled and cleaned. Sanitary grade finished polishing of Ra < 0.38 µm (15 µin.) make these housings suitable for a variety of sanitary industrial and chemical applications.

The body and internal membrane supports are composed of stainless steel and the mechanical sealing eliminates the need of a gasket.

These membrane holders are suitable for vacuum filtration in combination with a vacuum bottle. The simple construction and ease of operation allows analysis for a large variety of fluids.



FEATURE

BENEFIT

Easy individual component disassembly

Each component can be completely disassembled and cleaned.

Quality surface finishing

With an internal bowl Ra of 0.38 µm (15 µin.) the sanitary surface finish prevents entrapment or build-up of contaminants.

SPECIFICATIONS

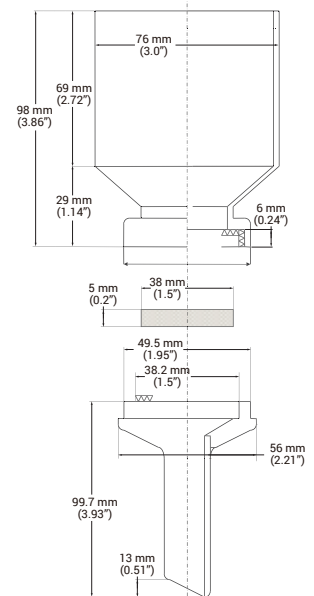
Surface finish

Mirror Polish or mirror polish with an Extra Internal Electro-polish

Internal Ra: 0.38 µm (15 µin.),
External Ra: 0.4 µm (16 µin.)

Housing body

304 or 316L



ORDERING INFORMATION

EXAMPLE: **H-TMF0147SBP** = 1 membrane, 47 mm O.D., 316L, electro-polished, pharmaceutical application

H-TMF

Housing Configuration

H-TMF = Top open,
Fixed Filter Plate

01

Number of Membranes

01 = 1 Membrane

47

Membrane O.D.

47 = 47 mm



Material

F = 304

S = 316L



Surface Finish

A = Mirror Polish

B = Additional
Internal
Electro-polished



Application

P = Pharmaceutical

F = Food and Beverage

C = Chemical