

H-SBF SIDE-INLET/BOTTOM OUTLET SINGLE BAG FILTER HOUSINGS

FOR LOW-VOLUME LIQUID FILTRATION IN A WIDE RANGE OF FILTRATION APPLICATIONS

H-SBF Side-Inlet/Bottom Outlet Filter Housings are designed as a single bag filter housing for most low volume liquid filtration applications.

The housings are designed with a triangle-shaped lid with one side is fixed to the filter housing, which makes it convenient and easy-to-use in filter change operations.

The housing uses a clamp ring and spring to compress the bag filter, ensuring a 360° seal between the housing and filter bag. The Z-type support allows for equal pressure against the internal basket.

FEATURE	BENEFIT
Quality surface finishing	Mechanical polish and sand blast are available to match process requirements.
Side Inlet, Bottom Outlet	Inlet/Outlet configuration allows easy filter change through hinged top lid.
Economical Supports	Three-leg support bracket configuration make it easy to secure the housing to a flat surface.



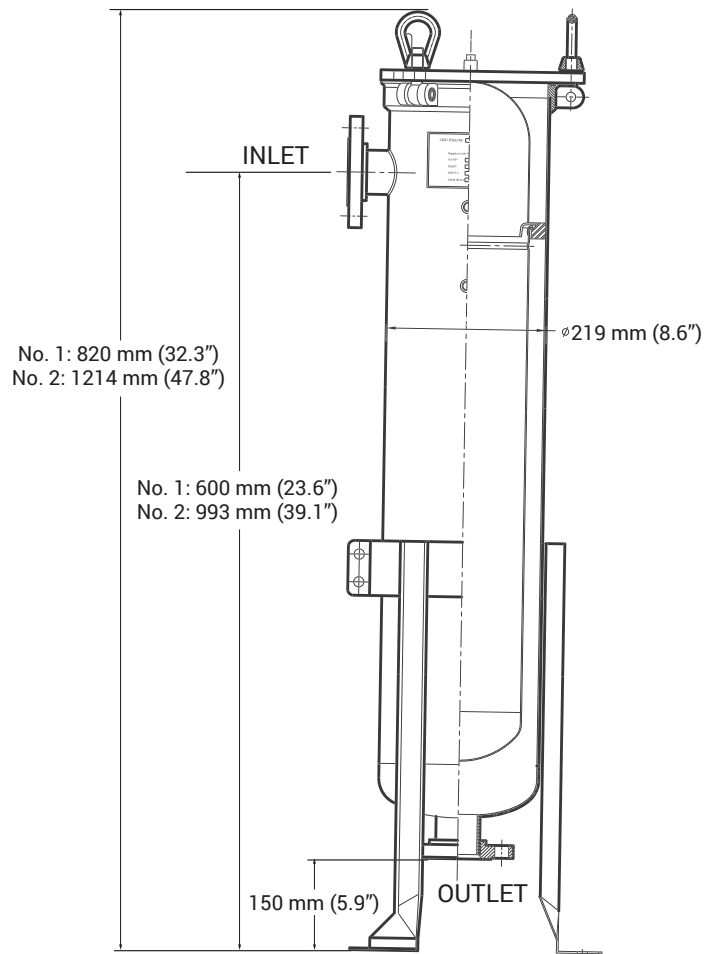
SPECIFICATIONS

Surface finish	Polish Type: Mirror Polish; Sandblasted; Brushed Surface Option: Internal Ra: 0.38 µm (15 µin.) External Ra: 0.4 µm (16 µin.)
Housing body	304; 316L
Inlet/Outlet	Flange, Tri-Clamp
O-ring/gaskets	Silicone, FKM, EPDM, PTFE
Max. operating pressure	Design Pressure X: 0.6 MPa (6 bar, 87 psi) Design Pressure Y: 1.0 MPa (10 bar, 145 psi)
Max. operating temperature	150°C (302°F)

Typical Applications

- Culture Medium
- Fermentation Broths
- Gel Materials
- High Viscosity Materials
- Serums
- Liquid Filtration

DIMENSIONS



ORDERING INFORMATION

EXAMPLE: **H-SBF0101SDF50EAXP** = 1 bag, #1 size, 316L housing, swing bolt closure, 2" Flange I/O, EPDM seals, mirror polish, 87 psi max, pharmaceutical

H-SBF	01			D					
Number of Bags	Bag Size	Material	Housing/Base Connection	Inlet/Outlet	Seal Material	Surface Finish	Design Pressure	Application	
01 = 1 bag	01 = #1 size 02 = #2 size	F = 304 S = 316L	D = Swing Bolt	T38 = 1.5" Tri-Clamp (DN38) T50 = 2" Tri-Clamp (DN50) F50 = 2" Flange	S = Silicone E = EPDM V = FKM P = E-FKM (encapsulated FKM)	A = Mirror Polish C = Sand Blasted S = Brushed	X = 0.6 MPa (87 psi) Y = 1.0 MPa (145 psi)	P = Pharmaceutical F = Food and Beverage C = Chemical	



BANNER INDUSTRIES IS THE EXCLUSIVE DISTRIBUTOR FOR COBETTER PRODUCTS IN THE USA
 Visit www.bannerindustries.com and select the Contact Us link to find the location nearest you. The Banner Industries of N.E., Inc. Terms and Conditions of Sale apply and are fully and expressly incorporated herein by reference and constitute a part of any contract for the purchase of the products described herein.

www.bannerindustries.com | Technical Sales: filtration@bannerindustries.com

CBBPP1158 Rev. 07242020
 Copyright © 2020 Banner Industries, Inc. All rights reserved.