

H-FRP FILTER HOUSINGS

HIGH-STRENGTH GLASS FIBER REINFORCED PLASTIC (FRP) HOUSINGS, IDEAL FOR USE IN SEAWATER DESALINATION

Cobber H-FRP Series Filter Housings are designed for use with HF150 Series Filter Cartridges and are mainly used for large fluid (liquid/water) flow rate applications, especially in seawater desalination, water pre-filtration, clarification, fine chemicals, pharmaceutical, and other industrial applications.

Designed for large flow rates, this filter housing requires a small area for installation. It is cost efficient and easy to operate when compared to traditional filter housings. The system will be custom designed and manufactured per customer site conditions if flow rates exceed 300 m³/h (1320 gpm).

FEATURE	BENEFIT
Modular design	Provides easy connection and disassembly. Easily configured to match process flow and filtration requirements.
Valve on branch tube	Allows for individual or multiple filter changeouts while system remains running
High flow, efficient footprint, available in horizontal and vertical designs	Provides high flow in space-saving configurations

SPECIFICATIONS

Housing material	FRP (Fiber-Reinforced Plastic)
Inlet/Outlet	FRP
Saddle	Rubber
Support strap	Stainless steel, rubber, and brass
Strap bolt	Stainless Steel
Seal material	Silicone, FKM, EPDM
Max. operating pressure	Design Pressure X: 0.6 MPa (6 bar, 87 psi) Design Pressure Y: 1.0 MPa (10 bar, 145 psi) Custom pressure design also available.
Filter length	20", 40", 60", 80"
Filter diameter	153 mm (6")
Flow direction	From inside to outside of filter element



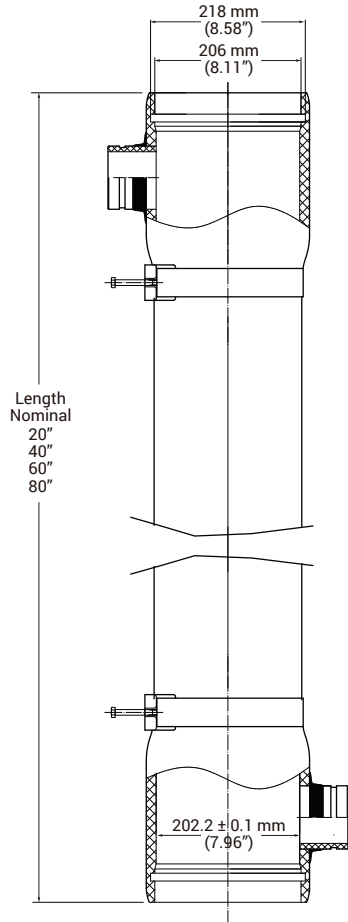
Typical Applications

- Seawater Desalination
- Pre-filtration
- Clarification
- Beverages
- Drinking water
- Fine chemicals
- Pharmaceuticals

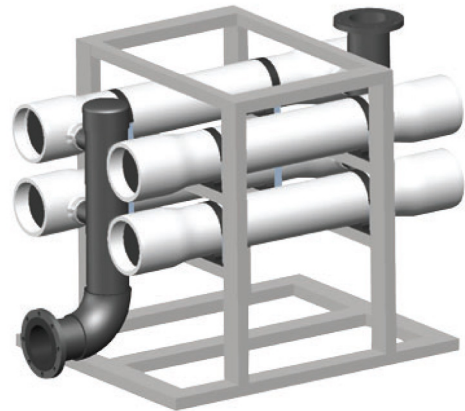
FLOW RATE CHARACTERISTICS

Length	20"	40"	60"	80"
Design flow (fitting dependent)	15 m ³ /h (66 gpm)	30 m ³ /h (132 gpm)	45 m ³ /h (198 gpm)	60 m ³ /h (264 gpm)
Effective filtration area	2.8 m ² (30.1 ft ²)	5.6 m ² (60.3 ft ²)	8.4 m ² (90.4 ft ²)	11.2 m ² (120 ft ²)

DIMENSIONS



Filter Installation



Example Filter Housing Installation

ORDERING INFORMATION

EXAMPLE: **H-FRP1500140FHC80EXC** = 1 filter, 40", FRP housing, HF150 filter, 3" coupling inlet/outlet, EPDM seals, 87psi, chemical application

H-FRP150	01		F	H				
	Number of Filters 01 = 1 round		Housing Material F = FRP	Cartridge Configuration H = HF150		Seal Material S = Silicone E = EPDM V = FKM		Application P = Pharmaceutical F = Food and Beverage C = Chemical
		Filter Length 20 = 20" 40 = 40" 60 = 60" 80 = 80"			Inlet/Outlet C65 = 2.5" Coupling (DN65) C80 = 3" Coupling (DN80) C100 = 4" Coupling (DN100)		Design Pressure X = 0.6 MPa (87 psi) Y = 1.0 MPa (145 psi) Z = Customized	

*Custom configurations and fittings available.



BANNER INDUSTRIES IS THE EXCLUSIVE DISTRIBUTOR FOR COBETTER PRODUCTS IN THE USA
Visit www.bannerindustries.com and select the Contact Us link to find the location nearest you. The Banner Industries of N.E., Inc. Terms and Conditions of Sale apply and are fully and expressly incorporated herein by reference and constitute a part of any contract for the purchase of the products described herein.

www.bannerindustries.com | Technical Sales: filtration@bannerindustries.com

CBBPP1146 Rev. 06302020
Copyright © 2020 Banner Industries, Inc. All rights reserved.