

H-DMF-T STAINLESS STEEL MEMBRANE HOLDERS WITH RESERVOIR

FOR A VARIETY OF INDUSTRIAL AND SANITARY APPLICATIONS

Cobetter H-DMF Stainless Steel Membrane Holders are designed for use in liquid filtration when a high level of cleanliness is required, including lab analysis and product research/development.

Each component can be completely disassembled and cleaned. Sanitary grade finished polishing of Ra < 0.38 µm (15 µin.) make these housings suitable for a variety of sanitary industrial and chemical applications.

FEATURE	BENEFIT
Easy individual component disassembly	Each component can be completely disassembled and cleaned.
FNPT Connections	Design allows for safe, easy sealing of connections
Quality surface finishing	With an internal bowl Ra of 0.38 µm (15 µin.) the sanitary surface finish prevents entrapment or build-up of contaminants.



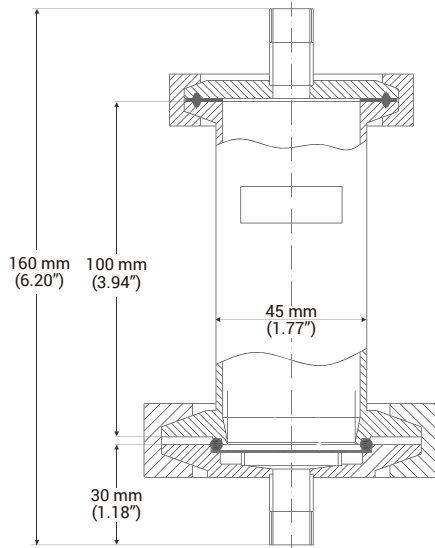
SPECIFICATIONS

Surface finish	Mirror Polish, Internal Electro-polished Internal Ra: 0.38 µm (15 µin.), External Ra: 0.4 µm (16 µin.)
Housing body	304 or 316L
Vent/Drain	304 or 316L
Clamp	304
O-ring/gaskets	Silicone, FKM, EPDM, PTFE, E-FKM
Max. operating pressure	0.6 MPa (6 bar, 87 psi)
Max. operating temperature	135°C (275°F)
Connections	Body Connection: Tri-Clamp Inlet/Outlet: 1/4" FNPT

TYPICAL APPLICATIONS

- Pharmaceuticals
- Solvents
- Potable Liquids
- Industrial Liquids
- Coolants
- Batch Sampling

DIMENSIONS



ORDERING INFORMATION

EXAMPLE: **H-DMF0147STFN1/4VBXP** = 1 membrane, 47 mm O.D., 316L, 1/4" Female NPT, FKM seals, electro-polished, 87 psi, pharmaceutical

H-DMFT	01			T	FN1/4				
<p>Housing Configuration H-DMF = Top open, Fixed Filter Plate</p>	<p>Number of Membranes 01 = 1 Membrane</p>	<p>Membrane O.D. 47 = 47 mm 90 = 90 mm 142 = 142 mm 200 = 200 mm 293 = 293 mm</p>	<p>Material F = 304 S = 316L</p>	<p>House Connection T = Tri-Clamp</p>	<p>Inlet/Outlet FN1/4 = 1/4" FNPT</p>	<p>Seal Material S = Silicone E = EPDM V = FKM P = E=FKM (Encapsulated FKM) F = PTFE</p>	<p>Surface Finish A = Mirror Polish B = Extra Internal Electro-polished</p>	<p>Design Pressure X = 0.6 MPa (87 psi)</p>	<p>Application P = Pharmaceutical F = Food and Beverage C = Chemical</p>



BANNER INDUSTRIES IS THE EXCLUSIVE DISTRIBUTOR FOR COBETTER PRODUCTS IN THE USA
Visit www.bannerindustries.com and select the Contact Us link to find the location nearest you. The Banner Industries of N.E., Inc. Terms and Conditions of Sale apply and are fully and expressly incorporated herein by reference and constitute a part of any contract for the purchase of the products described herein.

www.bannerindustries.com | Technical Sales: filtration@bannerindustries.com

CBBPP1144 Rev. 06292020
Copyright © 2020 Banner Industries, Inc. All rights reserved.