

**H-CCF SINGLE-ROUND INDUSTRIAL
MACHINED BASE LIQUID FILTER HOUSINGS**

T-Line Configuration Sanitary Grade Housings
for Easy Installation into Existing Tools and Locations

H-CCF SINGLE-ROUND INDUSTRIAL MACHINED BASE LIQUID FILTER HOUSINGS

SINGLE-ROUND FILTER HOUSING FOR LIQUID FILTRATION

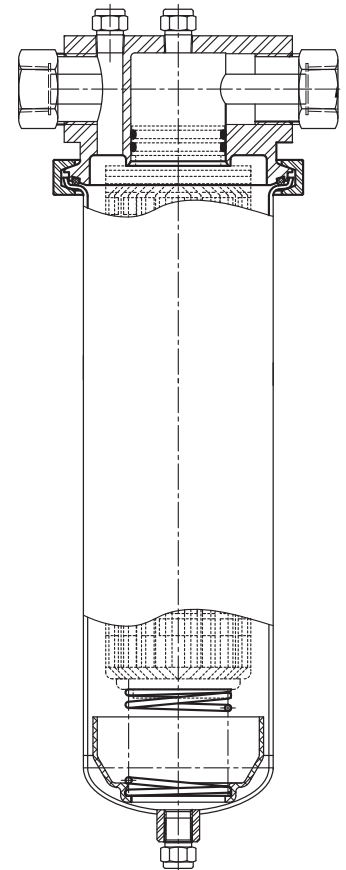
H-CCF Filter Housings feature T-line configuration with machined base which allows for easy installation into various tools and locations. The bowl is sanitary grade and has a finished polishing of Ra < 0.8 µm (32 µin.) making it suitable for a variety of applications. Since the housing is a compact structure, the top of the filter housing can be supported to rigid pipe. The tri-clamp connection of the housing makes it easy to remove the bowl and replace filter elements.

There is no liquid spillover during the replacement process, since the bowl can drop down after release of the tri-clamp. In addition, the drain valve located at the bottom of the filter housing allows for easy drainage.

FEATURE	BENEFIT
T-line configuration with top inlet and top outlet	T-line configuration allows tubing to be kept inline
Tri-clamp bowl connection	No liquid spillover when replacing filter cartridges as bowl can drop down after release of clamp Design allows for safe, easy sealing of bowl to housing head
Drain on housing bottom	Easy to drain
Quality surface finishing	With an internal bowl Ra of 0.8 µm (32 µin.) the sanitary surface finish prevents entrapment or build-up of contaminants.

SPECIFICATIONS

Surface finish	Base: Machined, Brushed; Bowl: Mechanical polished and Electropolished Internal Ra: ≤ 0.8 µm (32 µin.)
Housing body	304 or 316L
Vent/Drain Plug	304 or 316L
O-ring/gaskets	Silicone, FKM, EPDM, PTFE
Design pressure	0.6 MPa (6 bar, 87 psi), 1 MPa (10 bar, 145 psi)
Max. operating temperature	90°C (194°F) / Design temperature: 140°C
Connections	Bowl Connection: Tri-clamp Inlet/Outlet: 1", 1/2" FNPT, BSP, PT, BSPT Drain: 1/4" NPT



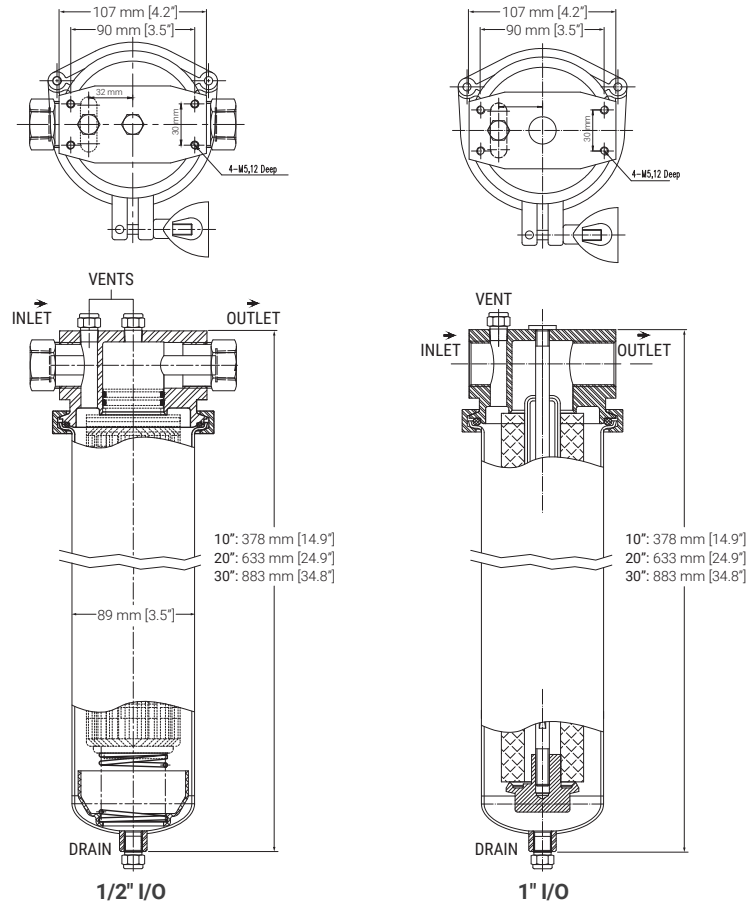
Filter mounting rod for DOE option



TYPICAL APPLICATIONS

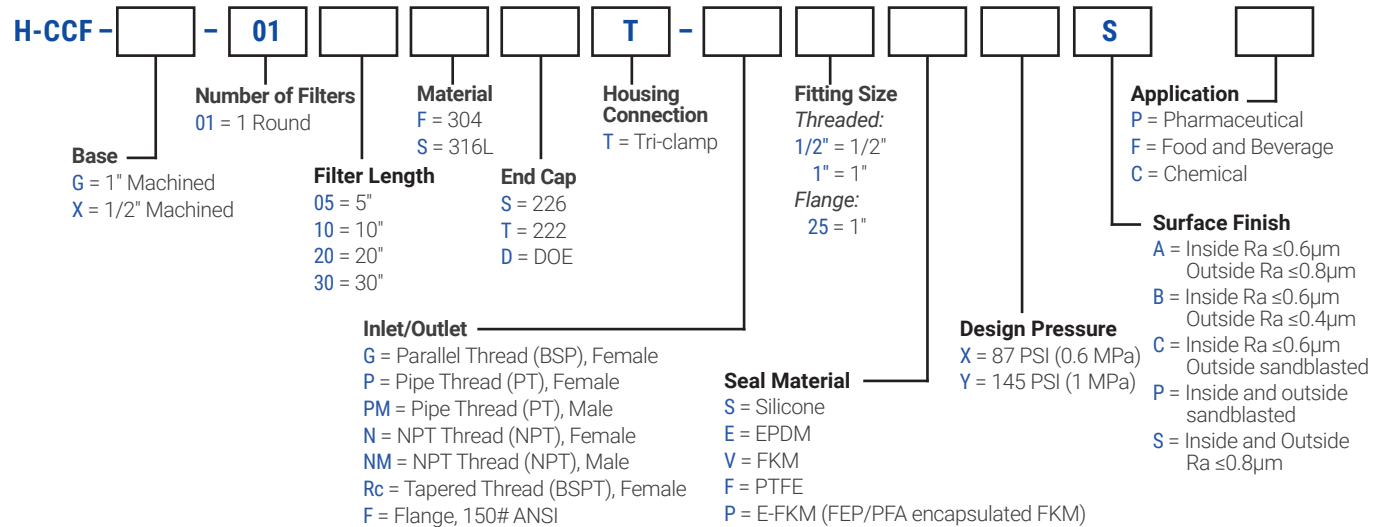
- Solvents
- Potable Liquids
- Industrial Liquids
- Coolants
- Process Water

DIMENSIONS



ORDERING INFORMATION

EXAMPLE: **H-CCF-G-0110STTN1"VXSP** = Industrial SS Housing, Machined Head, 10", 316L, 222, 1" Female NPT I/O, with FKM seals, pharmaceutical application



BANNER INDUSTRIES IS THE EXCLUSIVE DISTRIBUTOR FOR COBETTER PRODUCTS IN THE USA
 Visit www.bannerindustries.com and select the Contact Us link to find the location nearest you. The Banner Industries of N.E., Inc. Terms and Conditions of Sale apply and are fully and expressly incorporated herein by reference and constitute a part of any contract for the purchase of the products described herein.

www.bannerindustries.com | Technical Sales: filtration@bannerindustries.com

CBBPP1066 Rev. 08242021
 Copyright © 2021 Banner Industries, Inc. All rights reserved.