

**GUARD GUF FILTER CARTRIDGES**

Rolled polypropylene depth filters for long service life water filtration

# GUARD GUF FILTER CARTRIDGES

## ROLLED POLYPROPYLENE DEPTH FILTERS FOR LONG-LIFE WATER FILTRATION

Cobetter GUF Long Service Life Filter Cartridges are made of non-woven polypropylene material. They provide excellent life time and efficiency, which is 2-3 times that of general melt-blown filters.

GUF Filters are an exceptional value for general applications where long life, high contaminant holding, and low change out frequency are required. These filters are ideal for beverage and water treatment applications..

FEATURE	BENEFIT
<b>100% pure polypropylene depth filter</b>	High contaminant-holding capacity
	3x longer lifetime than standard meltblown filters
	Reduced filtration cost with longer lifetime
	Wide chemical compatibility
<b>No wetting agents, solvents, surfactants, binders, or adhesives are used in the manufacturing process</b>	Clean, long-life filtration
<b>Thermally bonded material</b>	Non fiber-releasing, clean, long-life filtration
<b>Quality Assurance</b>	Manufactured in a facility which adheres to ISO 9001 Practices.
<b>Indirect Food Additive</b>	All component materials meet the FDA Indirect Food Additive requirements cited in 21 CFR 177-182 and 1935/2004 EC.

### SPECIFICATIONS

<b>Filter media</b>	Polypropylene
<b>Core/cage/end caps</b>	Polypropylene
<b>O-ring internal support</b>	PBT, SS (316L)
<b>O-rings</b>	Silicone, EPDM
<b>Cartridge diameter</b>	OD: 64 mm (2.5 in.) ID: 30 mm (1.2 in.)
<b>Max. operating temperature</b>	70°C
<b>Max. operating pressure</b>	0.3 MPa (3.0 bar, 43.5 psi) at 21°C 0.12 MPa (1.2 bar, 17.4 psi) at 70°C
<b>Recommended design flow rate</b>	0.5 m <sup>3</sup> /h (10")

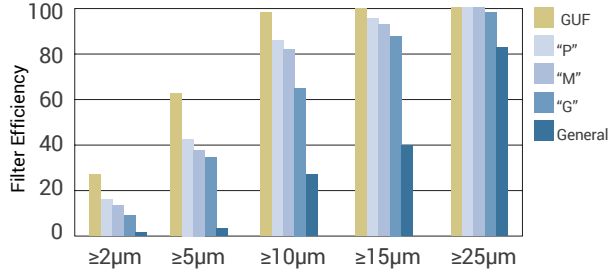


### Typical Applications

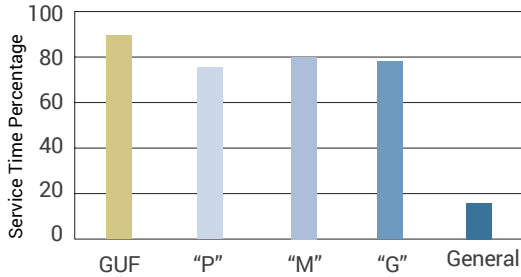
- Pre-Filter for RO System
- Water Filtration
- Pre-Filtration
- Clarification
- Cooling Water System
- Plating Baths

## FILTER PERFORMANCE

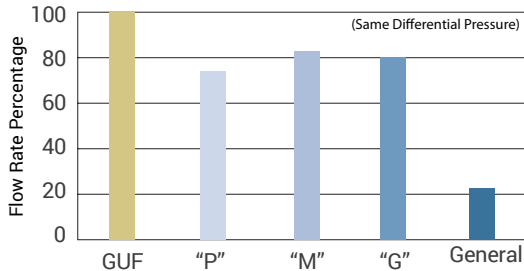
### Filter Efficiency Comparison



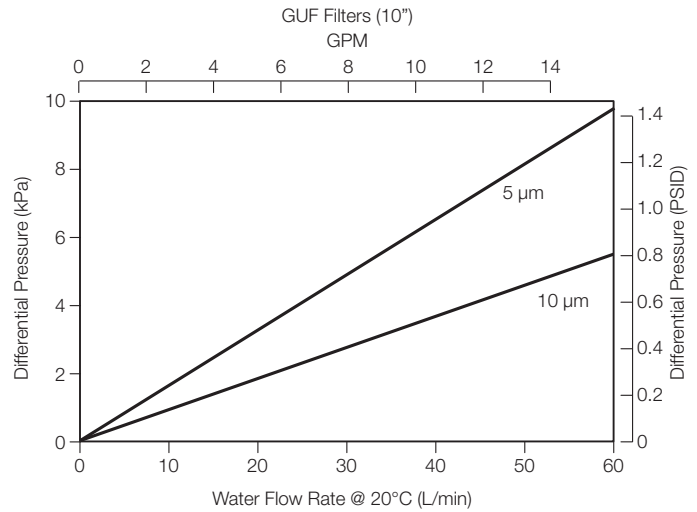
### Service Time Comparison



### Flow Rate Comparison



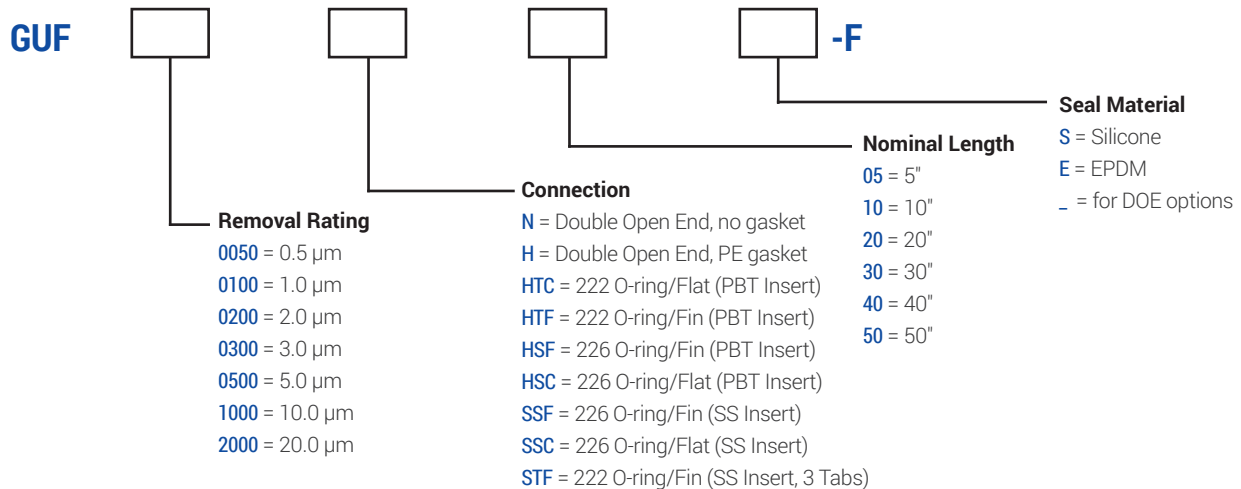
## FLOW RATES



Particles	GUF 5 µm	"P"	"M"	"G"	General
≥ 2µm	26.48%	14.49%	12.85%	9.81%	1.57%
≥ 5µm	64.21%	43.11%	36.44%	35.38%	5.36%
≥ 10µm	98.84%	86.74%	82.27%	64.87%	27.41%
≥ 25µm	99.88%	94.71%	92.73%	88.60%	40.38%
≥ 25µm	100%	100%	100%	98.21%	85.02%

## ORDERING INFORMATION

EXAMPLE: **GUF0100HSF10S-F** = 1.0 µm, 22 O-ring/Fin with PBT insert, 10" filter with silicone seals



BANNER INDUSTRIES IS THE EXCLUSIVE DISTRIBUTOR FOR COBETTER PRODUCTS IN THE USA  
 Visit [www.bannerindustries.com](http://www.bannerindustries.com) and select the Contact Us link to find the location nearest you. The Banner Industries of N.E., Inc. Terms and Conditions of Sale apply and are fully and expressly incorporated herein by reference and constitute a part of any contract for the purchase of the products described herein.

CBBPP1102 Rev. 06172020  
 Copyright © 2020 Banner Industries, Inc. All rights reserved.