



FLUOROLINK™ PFA HOUSINGS

ALL PFA CONSTRUCTION IDEAL FOR HIGHLY CORROSIVE AND ULTRA-PURE CHEMICALS

Fluorolink™ is an all-fluoropolymer housing designed for ultra-high purity chemicals, chemical blends, and certain aggressive chemicals applications.

HIGHEST CHEMICAL COMPATIBILITY/CLEANLINESS

The all-fluoropolymer housing provides the highest degree of chemical compatibility while offering ppt level cleanliness. Optional locking ring materials are available for different acids, bases, and other aggressive chemicals to ensure a high degree of compatibility and long service life.

INDUSTRY-STANDARD FITTINGS OPTIONS

Fluorolink™ is available with standard industry fittings to provide safe, ultra-clean connections and easy installation. Available larger vents/drains promote faster venting and draining to reduce startup and filter changeout times.

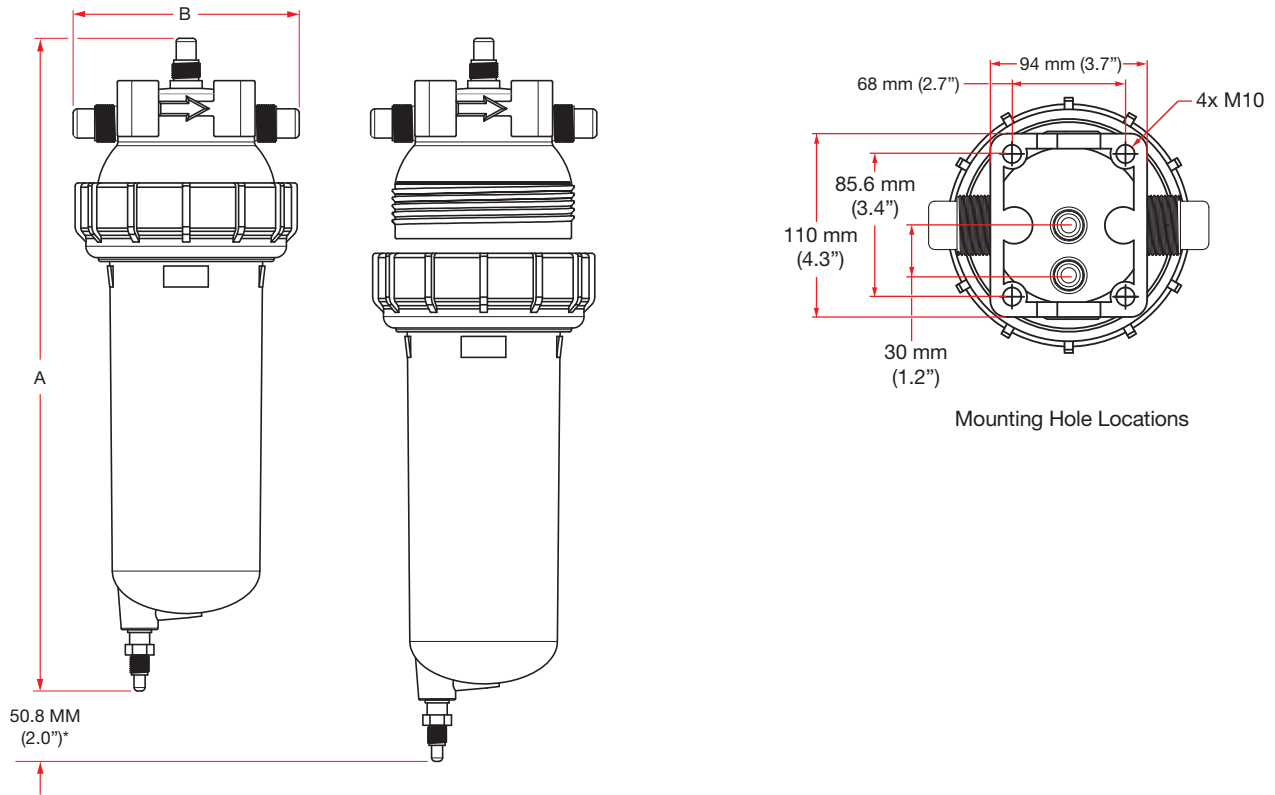


FEATURE	BENEFIT
Industry standard fittings	Industry standard flared fittings for easy installation
Compact design	Compact design is space saving and ideal for chemical distribution and on-tool applications
High temperature rating	Temperature rating to 100°C is ideal for the majority of chemical dispense, clean, and etch processes
Three locking ring choices	Three locking ring material choices can be matched to chemicals and solvents for robust operation and long life
Sturdy mounting bracket	Integrated mounting bracket enables secure installation
Large vents/drains	Larger 1/2" vents and drains promote faster venting and draining to reduce startup and filter changeout times
Chemical-compatible O-rings	TEV O-ring and Chemraz® options from Banner Industries offer complete range of chemical compatibility and a leak tight seal

SPECIFICATIONS

Materials	Housing Head and Bowl	PFA
	Locking Ring	PVDF / PP+GF / PTFE
	O-ring	TEV, Chemraz® (accessory option)
	Mounting bolts (not-wetted)	PVDF
Operating conditions	Max. operating temperature	100°C
	Max. operating pressure	0.3 MPa (3.0 bar, 43 psi) @ 100°C
		0.75 MPa (7.5 bar, 109 psi) @ 25°C
Connections	Type	Flare
	Flow size	1", 3/4"
	Vent/Drain	1/2", 1/4"

DIMENSIONS



CONNECTION

Code	Connection	Inlet/Outlet	Vent	Drain	DIM B	DIM A 10" Housing	DIM A 20" Housing
F642	CFL (flare type)	3/4"	1/2"	1/4"	156 mm (6.1")	450 mm (17.7")	696 mm (27.4")
F842		1"	1/2"	1/4"	168 mm (6.6")	450 mm (17.7")	696 mm (27.4")

CHEMICAL COMPATIBILITY SUMMARY

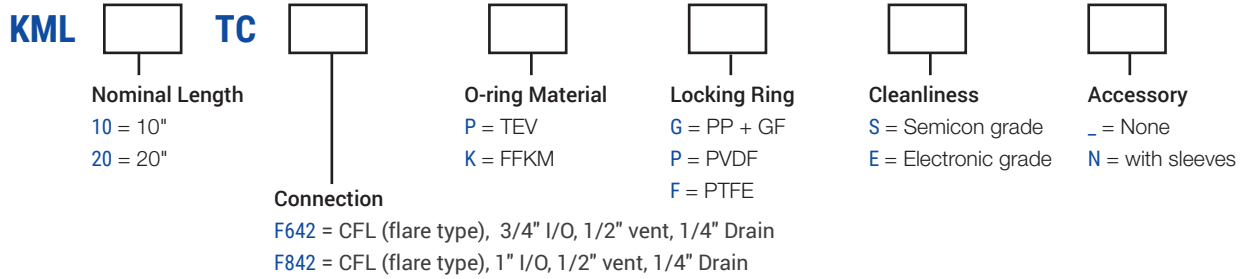
	PVDF	PP+GF	PTFE	Common Uses
Acid	✓	Δ	✓	HCl, H ₂ SO ₄
Bases	X	✓	✓	KOH, TMAH
Alcohols	Δ	✓	✓	Ethanol, IPA
Esters	X	X	✓	ABE, Ethyl Acetate
Hydrocarbons	✓	X	✓	CCl ₄ , C ₂ H ₆ , Toluene
Ketones	X	✓	✓	Acetone, Cyclohexanone

X Unusable Δ Limited ✓ Excellent

Notice: For brief reference only. Please contact Banner Industries for more details.

HOUSINGS ORDERING INFORMATION

EXAMPLE: **KML10TCF642PPS** = 10", 3/4" CFL (flare type) I/O , 1/2" Vent, 1/4" Drain, with TEV O-ring, PVDF Locking Ring



ACCESSORIES ORDERING INFORMATION

Item	Part number	Description
Housing Wrench	BS83D	HOUSING WRENCH



BANNER INDUSTRIES IS THE EXCLUSIVE DISTRIBUTOR FOR COBETTER PRODUCTS IN THE USA
 Visit www.bannerindustries.com and select the Contact Us link to find the location nearest you.
 The Banner Industries of N.E., Inc. Terms and Conditions of Sale apply and are fully and expressly
 incorporated herein by reference and constitute a part of any contract for the purchase of the
 products described herein.

www.bannerindustries.com | Technical Sales: filtration@bannerindustries.com

CBBPP1043 Rev. 10202019

Copyright © 2020 Banner Industries, Inc. All rights reserved.
 Fluorolink™ is a trademark of Cobetter Filtration Equipment Co., Ltd.
 Chemraz® is a registered trademarks of Greene, Tweed and Co.