



FLUOROLINK™ PFA HOUSINGS

PFA housing solution ideal for highly corrosive and ultra-pure chemicals

FLUOROLINK™ PFA HOUSINGS

ALL PFA CONSTRUCTION IDEAL FOR HIGHLY CORROSIVE AND ULTRA-PURE CHEMICALS

Fluorolink™ is an all-fluoropolymer housing designed for ultra-high purity chemicals, chemical blends, and certain aggressive chemicals applications.

HIGHEST CHEMICAL COMPATIBILITY/CLEANLINESS

The all-fluoropolymer housing provides the highest degree of chemical compatibility while offering ppt level cleanliness. Optional locking ring materials are available for different acids, bases, and other aggressive chemicals to ensure a high degree of compatibility and long service life.

INDUSTRY-STANDARD FITTINGS OPTIONS

Fluorolink™ is available with standard industry fittings to provide safe, ultra-clean connections and easy installation. Available larger vents/drains promote faster venting and draining to reduce startup and filter changeout times.

| FEATURE | BENEFIT |
|---|---|
| Industry standard fittings | Industry standard flared fittings for easy installation |
| Compact design | Compact design is space saving and ideal for chemical distribution and on-tool applications |
| Cartridge (CLTC) locking feature | With a small twist at installation, Cobetter's CLTC cartridge can be locked into the bowl for easy installation and minimal clearance removal without touching the cartridge* |
| High temperature rating | Temperature rating to 100°C is ideal for the majority of chemical dispense, clean, and etch processes |
| Three locking ring choices | Three locking ring material choices can be matched to chemicals and solvents for robust operation and long life |
| Sturdy mounting bracket | Integrated mounting bracket enables secure installation |
| Large vents/drains | Larger 1/2" vents and drains promote faster venting and draining to reduce startup and filter changeout times |
| Chemical-compatible O-rings | TEV O-ring and FFKM options from Banner Industries offer complete range of chemical compatibility and a leak tight seal |

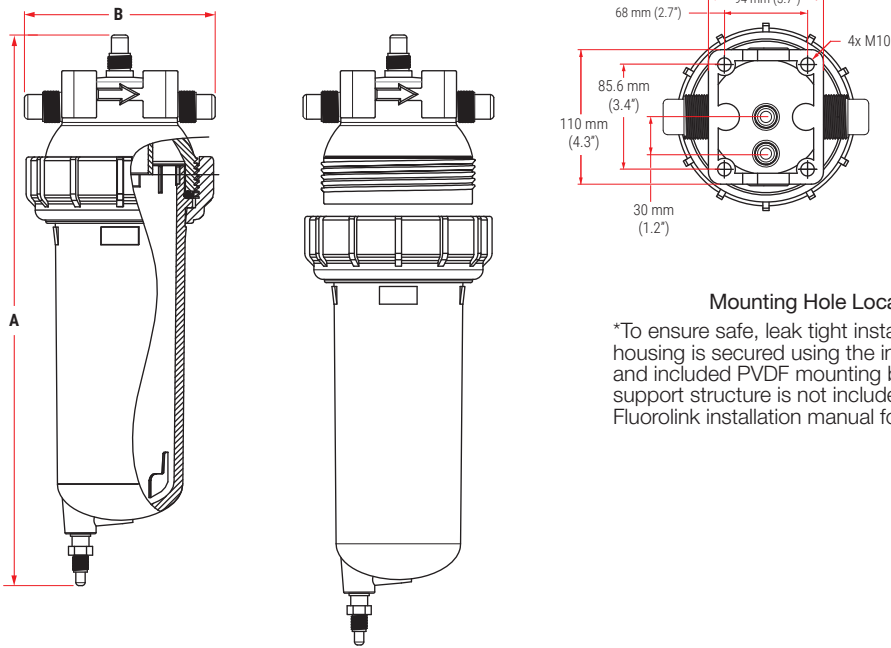
SPECIFICATIONS

| | | |
|-------------------------------------|---------------------------------|--|
| Materials | Housing Head and Bowl | PFA |
| | Locking Ring | PVDF / PP+GF / PTFE |
| | O-ring* | TEV (E-FKM), FFKM |
| | M10 Mounting bolts (not-wetted) | PVDF |
| Operating conditions | Max. operating temperature | 100°C |
| | Max. operating pressure | 0.3 MPa (3.0 bar, 43 psi) @ 100°C |
| | | 0.75 MPa (7.5 bar, 109 psi) @ 25°C |
| Connections | Type | Flare, Pipe (butt weld) |
| | Flow size | 1", 3/4" |
| | Vent/Drain | See options in housing ordering section. |
| O-ring torque specifications | TEV | 45 N•m (33.2 lb-ft) |
| | FFKM | 25 N•m (18.4 lb-ft) |



* Please see Cobetter locking feature instructions on page 3 of this data sheet. Cobetter's fluorolink housing will accept most competitive 222 cartridges, but to use locking feature, the CLTC cartridge must be used.

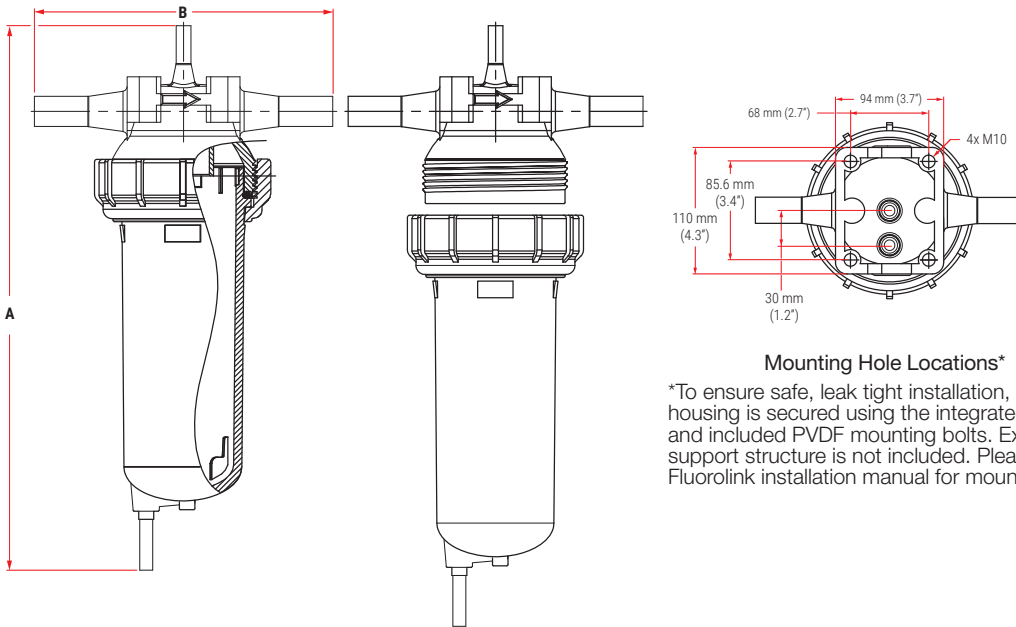
DIMENSIONS - CFL (FLARE TYPE)



Mounting Hole Locations*

*To ensure safe, leak tight installation, please make sure housing is secured using the integrated mounting bracket and included PVDF mounting bolts. External mounting support structure is not included. Please refer to Cobetter Fluorolink installation manual for mounting instructions.

DIMENSIONS - PIPE (BUTT WELD)



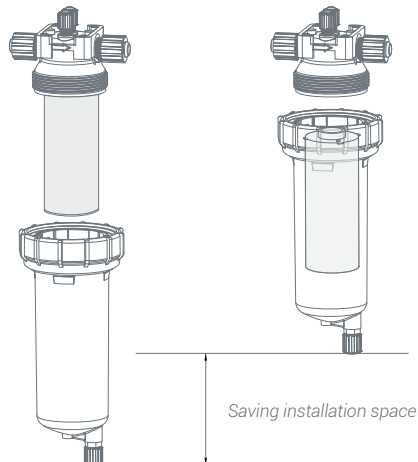
Mounting Hole Locations*

*To ensure safe, leak tight installation, please make sure housing is secured using the integrated mounting bracket and included PVDF mounting bolts. External mounting support structure is not included. Please refer to Cobetter Fluorolink installation manual for mounting instructions.

SPACE SAVINGS

With TC type cartridge

With CLTC type cartridge



Saving installation space

CONNECTIONS

| Code | Inlet/Outlet | Vent | Drain | DIM B | DIM A 10" Housing | DIM A 20" Housing | DIM A 30" Housing |
|--------------|----------------------------------|-------------------------------|----------|------------------|----------------------|----------------------|----------------------|
| F622 | 3/4" CFL | 1/4" CFL | 1/4" CFL | 156 mm (6.1") | 450 mm (17.7") | 696 mm (27.4") | 940 mm (37.0") |
| F624 | 3/4" CFL | 1/4" CFL | 1/2" CFL | 156 mm (6.1") | 434 mm (17.1") | 673.5 mm (26.5") | 940 mm (37.0") |
| F642 | 3/4" CFL | 1/2" CFL | 1/4" CFL | 156 mm (6.1") | 450 mm (17.7") | 696 mm (27.4") | 940 mm (37.0") |
| F644 | 3/4" CFL | 1/2" CFL | 1/2" CFL | 156 mm (6.1") | 434 mm (17.1") | 673.5 mm (26.5") | 965 mm (38.0") |
| F822 | 1" CFL | 1/4" CFL | 1/4" CFL | 168 mm (6.6") | 450 mm (17.7") | 696 mm (27.4") | 940 mm (37.0") |
| F824 | 1" CFL | 1/4" CFL | 1/2" CFL | 168 mm (6.6") | 434 mm (17.1") | 673.5 mm (26.5") | 940 mm (37.0") |
| F842 | 1" CFL | 1/2" CFL | 1/2" CFL | 168 mm (6.6") | 450 mm (17.7") | 696 mm (27.4") | 940 mm (37.0") |
| F844 | 1" CFL | 1/2" CFL | 1/2" CFL | 168 mm (6.6") | 434 mm (17.1") | 673.5 mm (26.5") | 965 mm (38.0") |
| GS644 | Tube to 3/4" Super Pillar 300 | Tube to 1/2" Super Pillar 300 | | 235 mm (9.3") | 484 mm (19.1") | 723.5 mm (28.5") | * |
| GS844 | Tube to 1" Super Pillar 300 | Tube to 1/2" Super Pillar 300 | | 262 mm (10.3) | 484 mm (19.1") | 723.5 mm (28.5") | * |
| G644 | 3/4" Tube | 1/2" Tube | | 224mm (6.6") | 475 mm (18.7") | 710 mm (28") | * |
| G844 | 1" Tube | 1/2" Tube | | 249 mm (9.8") | 475 mm (18.7") | 710 mm (28") | * |

*Contact your local Banner representative for dimensions.

CHEMICAL COMPATIBILITY SUMMARY

| | PVDF | PP+GF | PTFE | Common Uses |
|--------------|------|-------|------|--|
| Acid | ✓ | Δ | ✓ | HCl, <80% H ₂ SO ₄ ⁺ , <30% HNO ₃ ⁺ |
| Bases | X | ✓ | ✓ | KOH, TMAH, NH ₄ OH |
| Oxidizers | Δ | X | ✓ | H ₂ O ₂ |
| Alcohols | Δ | ✓ | ✓ | Ethanol, IPA |
| Esters | X | X | ✓ | ABE, Ethyl Acetate |
| Hydrocarbons | ✓ | X | ✓ | CCl ₄ , C ₂ H ₆ , Toluene |
| Ketones | X | ✓ | ✓ | Acetone, Cyclohexanone |

X Unusable

Δ Limited

✓ Excellent

* Please contact Banner Industries if concentration exceeds what is listed in the compatibility table.

Notice: For brief reference only. Please contact Banner Industries for more details.

HOUSINGS ORDERING INFORMATION

EXAMPLE: **KML10TCF642PPS** = 10", 3/4" CFL (flare type) I/O , 1/2" Vent, 1/4" Drain, with TEV O-ring, PVDF Locking Ring

KML



Nominal Length

5 = 5"

10 = 10"

10L = for 11" cartridges

20 = 20"

20L* = 20"

30 = 30"

* Longer bowl for certain cartridges which are slightly longer than 20" nominal.



Cartridge Type

TC = Standard

CLTC = For Cobetter CLTC cartridges



Connection

F622

F624

F642

F644

F822

F824

F842

F844

G644

G844

GS644

GS844



O-ring Material

P = TEV

K = FFKM



Locking Ring

G = PP + GF

F** = PTFE

P = PVDF



Cleanliness

S = Semicon grade

E = Electronic grade



Accessory

_ = None

N = with sleeves

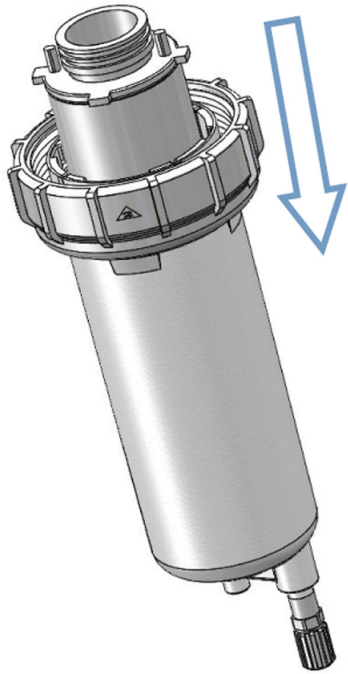
** If PTFE locking ring is selected, the only o-ring which can be specified is FFKM.

ACCESSORIES ORDERING INFORMATION

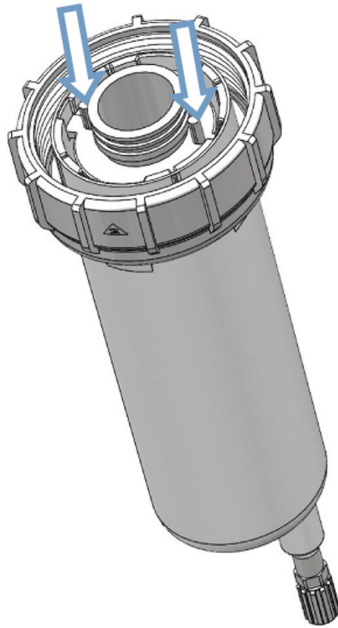
| Item | Part number | Description |
|--------------------|----------------|-----------------------|
| Housing Wrench | BS83D | HOUSING WRENCH |
| Torque Wrench | BS83DP | HOUSING TORQUE WRENCH |
| TEV (E-FKM) O-ring | TEV-101-6*5.7 | TEV (E-FKM) O-RING |
| FFKM O-ring | FFKM-101-6*5.7 | FFKM O-RING |

INSTALLATION INSTRUCTIONS OF CLTC CARTRIDGE

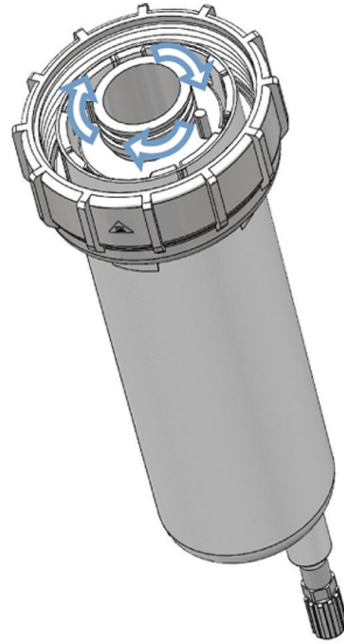
1. Insert cartridge into bowl.



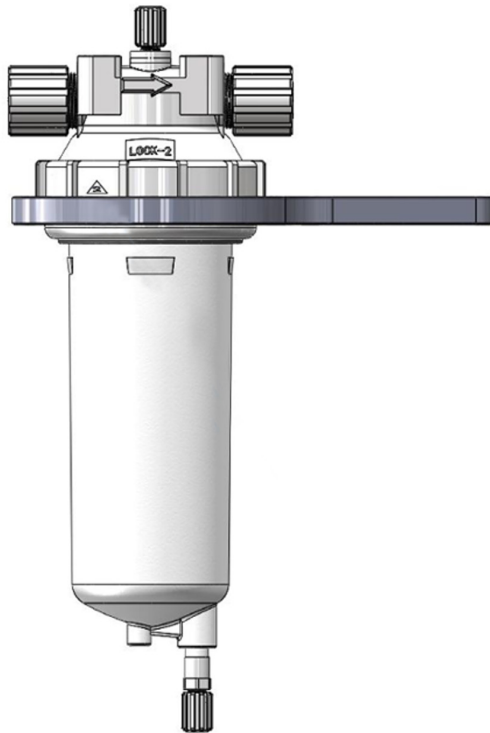
2. Press studs to push cartridge into the bottom of the cartridge slot.



3. Twist cartridge 20 degrees to lock.



4. Attach bowl to head. Tighten locking ring to O-ring specified torque specifications to seat cartridge.



BANNER INDUSTRIES IS THE EXCLUSIVE DISTRIBUTOR FOR COBETTER PRODUCTS IN THE USA Visit www.bannerindustries.com and select the Contact Us link to find the location nearest you. The Banner Industries of N.E., Inc. Terms and Conditions of Sale apply and are fully and expressly incorporated herein by reference and constitute a part of any contract for the purchase of the products described herein.

www.bannerindustries.com | Technical Sales: filtration@bannerindustries.com

CBBPP1043 Rev. 10202019
Copyright © 2022 Banner Industries, Inc. All rights reserved.
Fluorolink™ is a trademark of Cobetter Filtration Equipment Co., Ltd.