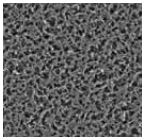


CHEMFINEN66® FILTER CARTRIDGES

HYDROPHILIC NYLON 66 MEMBRANE FILTERS DESIGNED FOR FILTRATION OF DYE-BASED INK JET INKS AND A BROAD RANGE OF CHEMICALS

ChemfineN66® Filter Cartridges are constructed of Nylon 66 membrane and are widely used in dye-based ink filtration applications. Nylon 66 membrane is naturally hydrophilic with broad chemical compatibilities. ChemfineN66® is available in single-layer as well as a double-layer membrane configurations.

FEATURE	BENEFIT
Hydrophilic Nylon 66 membrane 	Naturally hydrophilic Nylon membrane provides high flow rate
	High filtration area combined with lower pressure drop
	Provides broad chemical compatibility. Suitable for a wide range of solvent and chemical filtration.
	Double-layer configuration delivers high efficiency with longer lifetime.
Quality Assurance	These products are manufactured in a facility which adheres to ISO 9001 Practices. 100% Integrity tested and Lot traceable.
Particle Shedding	Non-fiber releasing. Autoclaved filter effluent meets the requirements in USP <788>
Non-Fiber Releasing	Component materials meet the criteria for a "Non-fiber-releasing filter" as defined in 21 CFR 210.3 (b) (6)

SPECIFICATIONS

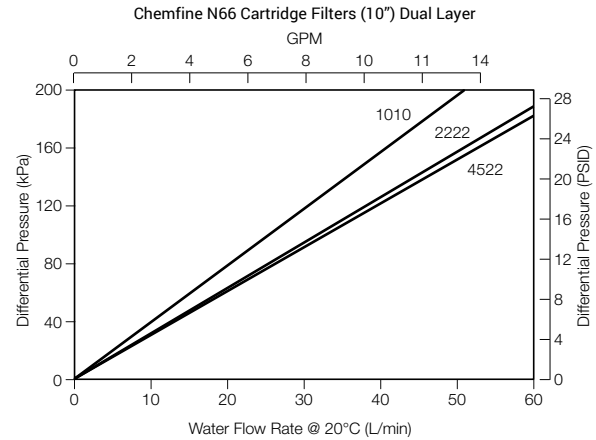
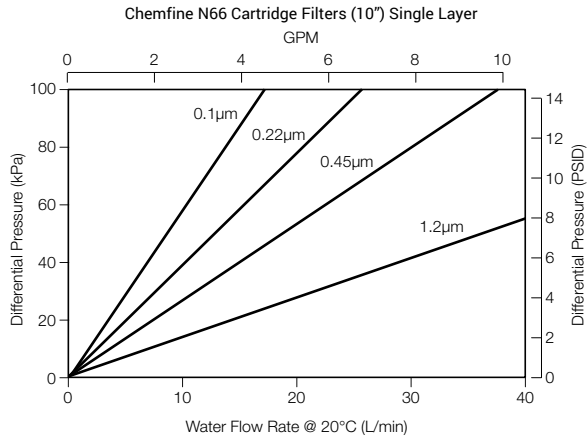
Filter media	Hydrophilic Nylon 66 membrane (Single or Double layer)			
Supports/core/cage/end caps	Polypropylene			
Effective filtration area	0.69m ² (7.4 ft ²)/ Ø69-10 inch (for both single and double layer)			
O-rings	Silicone, EPDM, FKM, FEP/PFA encapsulated FKM			
Cartridge diameter	68 mm (2.7 in.)			
Max. Operating temperature	70°C			
Max. Differential pressure	0.40 MPa (4.0 bar, 58 psi) at 21°C; 0.21 MPa (2.1 bar, 35 psi) at 70°C			
Bubble Point (in water @23°C)	0.1 µm	0.22 µm	0.45 µm	0.65 µm
	≥ 3.8 bar (55 psi)	≥ 3.4 bar (49 psi)	≥ 3.2 bar (46 psi)	≥ 2.0 bar (29 psi)



Typical Applications

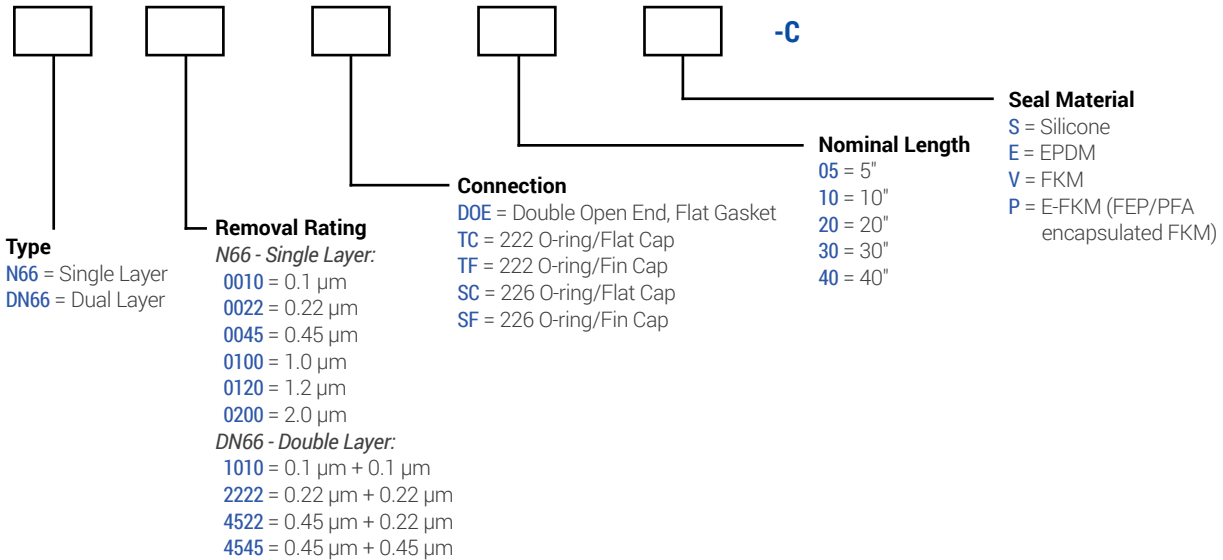
- Filtration of Dye-based Ink Jet Inks

FLOW RATES



ORDERING INFORMATION

EXAMPLE: **N660010SF10E-C** = single layer, 0.1 µm, 226/Fin, 10" filter with EPDM seals



BANNER INDUSTRIES IS THE EXCLUSIVE DISTRIBUTOR FOR COBETTER PRODUCTS IN THE USA
 Visit www.bannerindustries.com and select the Contact Us link to find the location nearest you. The Banner Industries of N.E., Inc. Terms and Conditions of Sale apply and are fully and expressly incorporated herein by reference and constitute a part of any contract for the purchase of the products described herein.

www.bannerindustries.com | Technical Sales: filtration@bannerindustries.com

CBBPP1027 Rev. 03202020
 Copyright © 2019 Banner Industries, Inc. All rights reserved.
 Chemfine® is a registered trademark of Cobetter Filtration Equipment Co., Ltd.