

BEVPURE® XL-EA FILTER CARTRIDGES

Hydrophilic asymmetric PES membrane filters designed for bio-burden reduction filtration to increase the service life of final stage filters

BEVPURE® XL-EA FILTER CARTRIDGES

HYDROPHILIC PES MEMBRANE FILTERS DESIGNED TO EXTEND THE SERVICE LIFE OF THE FINAL STAGE FILTERS

BevPure® XL-EA Filter Cartridges have a single-layer asymmetric hydrophilic PES membrane arrangement which delivers excellent throughput, high particle holding capacity, and durability. These filters are designed for bio-burden reduction filtration to increase the service life of the final stage filters.

| FEATURE | BENEFIT |
|---------------------------------------|---|
| Highly asymmetric PES membrane | Requires no pre-wetting |
| | Excellent chemical compatibility |
| | Economical to protect final stage sterilizing filters |
| | High particle-loading membrane |

QUALITY STANDARDS

| | |
|---|---|
| Quality Assurance | These products are manufactured in a facility which adheres to ISO 9001:2015 Practices. 100% Integrity tested and Lot traceable. |
| TOC / Conductivity at 25°C | Autoclaved filter effluent meets the USP <643> for Total Organic Carbon and USP <645> for Water Conductivity per WFI requirements after a UPW flush |
| Particle Shedding | Autoclaved filter effluent meet the USP <788> for large volume injections. |
| Non-Fiber Releasing | Component materials meet the criteria for a "Non-fiber-releasing filter" as defined in 21 CFR 210.3 (b) (6) |
| Bacterial Endotoxin | Aqueous extraction of autoclaved filter contains < 0.25 EU/mL as determined by Limulus; Amebocyte Lysate (LAL), USP <85> |
| USP <87> Cytotoxicity | Meet the requirement of USP <87> In Vitro Cytotoxicity Test |
| USP <88> Biological Toxicity | Meet the criteria of the USP <88> Biological Reactivity Test for Class VI-121°C plastics. |
| Indirect Food Additive | All component materials meet the FDA Indirect Food Additive requirements cited in 21 CFR 177-182, and EU framework regulation [1935/2004/EC]. |

SPECIFICATIONS

| | |
|------------------------------------|--|
| Filter media | Asymmetric Hydrophilic PES membrane (Single Layer) |
| Supports/core/cage/end caps | Polypropylene |
| O-ring internal support | PBT |
| O-rings | Silicone, EPDM, FKM |
| Effective filtration area | 0.58m ² (6.5 ft ²)/ Ø69-10 inch |
| Cartridge diameter | 69 mm (2.7 in.) |

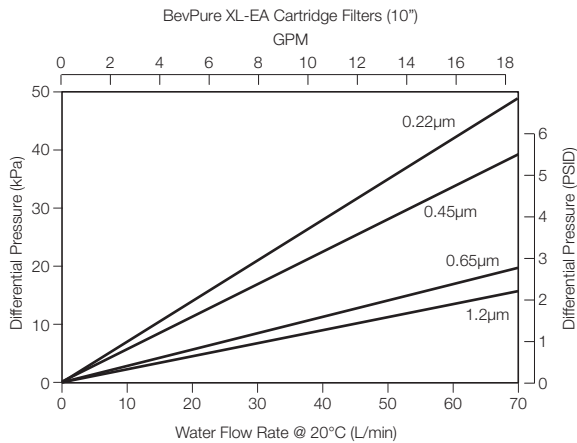


Typical Applications

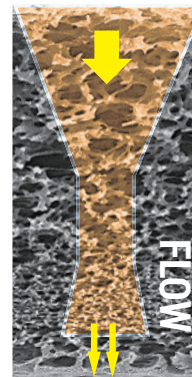
- Beer filtration
- Prefiltration
- Clarification

| | |
|--|---|
| Max. Operating temperature | 80°C |
| Max. Differential pressure | Forward: 0.69 MPa (6.9 bar, 100 psi) at 25°C; 0.40 MPa (4.0 bar, 58 psi) at 60°C; 0.24 MPa (2.4 bar, 35 psi) at 80°C |
| | Reverse: 0.3 MPa (3.0 bar, 44 psi) at 25°C; 0.1 MPa (1.0 bar, 15 psi) at 80°C |
| Steam sterilization (saturated steam) | 100 cycles for 30 minutes at 130°C at Max. Differential Pressure of 0.3 bar (4.3 psi) |
| Autoclave | 200 cycles for 30 minutes at 130°C |
| Hot water sterilization | 85°C/30 min. at Max. Differential Pressure for 2 bar (29 psi) |

FLOW RATES

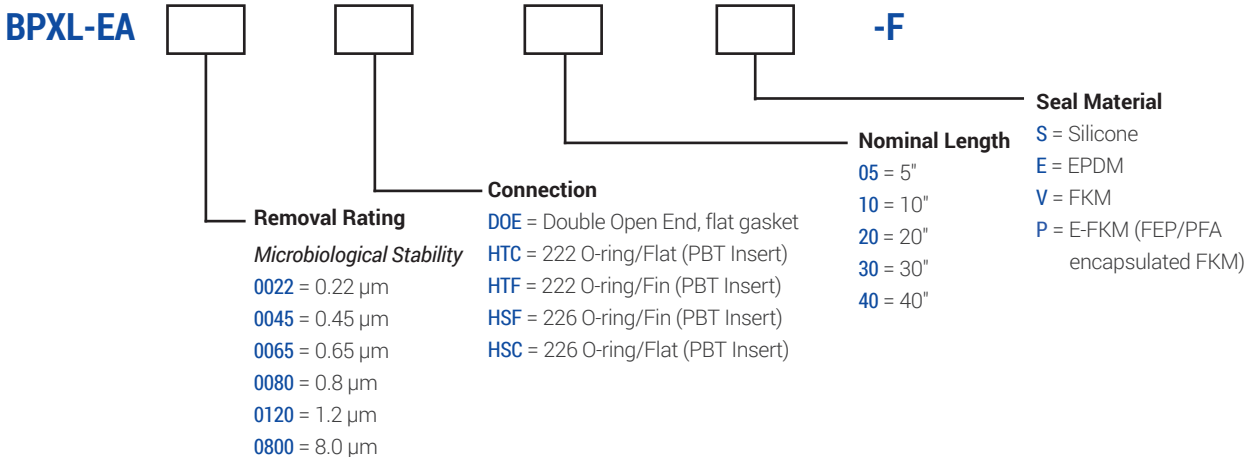


ASYMMETRIC MEMBRANE



ORDERING INFORMATION

EXAMPLE: **BPXL-EA0045HTC10S-F** = 0.45 µm, 222/Flat, 10" filter with silicone seals



BANNER INDUSTRIES IS THE EXCLUSIVE DISTRIBUTOR FOR COBETTER PRODUCTS IN THE USA
Visit www.bannerindustries.com and select the Contact Us link to find the location nearest you. The Banner Industries of N.E., Inc. Terms and Conditions of Sale apply and are fully and expressly incorporated herein by reference and constitute a part of any contract for the purchase of the products described herein.

www.bannerindustries.com | Technical Sales: filtration@bannerindustries.com

CBBPP1015 Rev. 05192020
Copyright © 2020 Banner Industries, Inc. All rights reserved.
BevPure® is a registered trademark of Cobetter Filtration Equipment Co., Ltd.