

APSGF FILTER CARTRIDGES

DUAL-LAYER CARTRIDGE COMBINING PRE-FILTRATION WITH ABSOLUTE RATED ASYMMETRIC PES FINAL FILTRATION

Cobetter APSGF filters are constructed of two layers: a pre-filtration layer of glass fiber with adsorption effect that is especially suitable for the filtration of particles and lipids, and a final filtration layer of asymmetric PES membrane with absolute ratings. The APSGF Filter Cartridge has high flow rates and excellent retention capacity. The filter provides a larger effective filtration area, with high contaminate holding capacity to deliver long service life.

| FEATURE | BENEFIT |
|---|--|
| Double-layer Pre-Filtration Glass Fiber with Final Filtration Polyethersulfone | Large filtration area |
| | Long service life |
| | High particulate loading capacity |
| | Excellent retention capacity |
| | Double-layer providing effective protection and final sterilization filter |

QUALITY STANDARDS

| | |
|---|---|
| Quality Assurance | These products are manufactured in a facility which adheres to ISO 9001:2015 Practices. 100% Integrity tested and Lot traceable. |
| TOC / Conductivity at 25°C | Autoclaved filter effluent meets the USP <643> for Total Organic Carbon and USP <645> for Water Conductivity per WFI requirements after a UPW flush |
| Particle Shedding | Autoclaved filter effluent meets the requirements in USP <788> for large volume parenterals/injections |
| Non-Fiber Releasing | Component materials meet the criteria for a "Non-fiber-releasing filter" as defined in 21 CFR 210.3 (b) (6) |
| Bacterial Endotoxin | Aqueous extraction of autoclaved filter contains < 0.25 EU/mL as determined by Limulus; Amebocyte Lysate (LAL), USP <85> |
| USP <87> Cytotoxicity | Meet the requirement of USP <87> In Vitro Cytotoxicity Test |
| USP <88> Biological Toxicity | Meet the criteria of the USP <88> Biological Reactivity Test for Class VI-121°C plastics. |
| Indirect Food Additive | All component materials meet the FDA Indirect Food Additive requirements cited in 21 CFR 177-182. |



Typical Applications

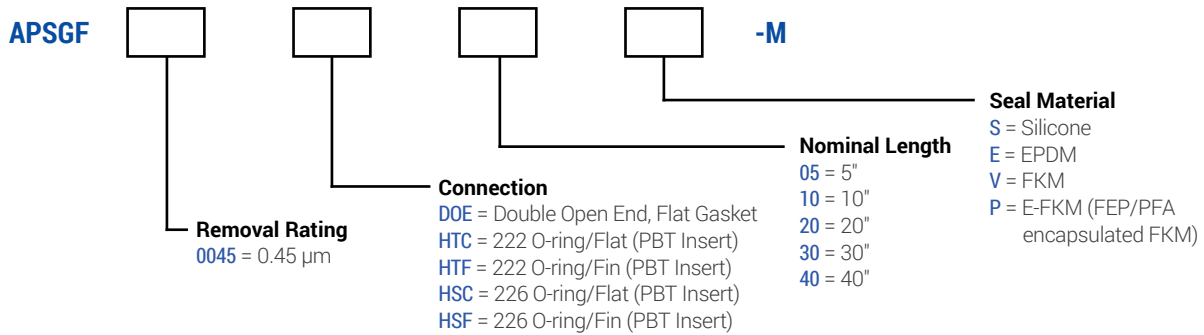
- Pre-filtration for Cell Culture Media
- Pre-filtration for Serum and Blood Products
- Filtration and Purification for High Viscosity Liquids

SPECIFICATIONS

| | |
|------------------------------------|--|
| Filter media | Pre-filtration Glass Fiber + Final-filtration Polyethersulfone (Asymmetric) |
| Supports/core/cage/end caps | Polypropylene |
| Effective filtration area | 0.5m ² (5.4 ft ²)/ Ø71-10 inch |
| O-rings | Silicone, EPDM, FKM, FEP/PFA encapsulated FKM |
| O-ring internal insert | PBT |
| Cartridge diameter | 71 mm (2.8 in.) |
| Max. Operating pressure | 0.40 MPa (4.0 bar, 58 psi) at 21°C 0.24 MPa (2.4 bar, 35 psi) at 80°C |
| Steam sterilization | up to 100 cycles for 30 minutes at 121°C at Max.Differential Pressure of 0.3 bar (4.3 psi) |

ORDERING INFORMATION

EXAMPLE: **APSGF0045HSF10S-M** = 0.45 µm, 226/Fin, 10" filter with silicone seals



BANNER INDUSTRIES IS THE EXCLUSIVE DISTRIBUTOR FOR COBETTER PRODUCTS IN THE USA
Visit www.bannerindustries.com and select the Contact Us link to find the location nearest you. The Banner Industries of N.E., Inc. Terms and Conditions of Sale apply and are fully and expressly incorporated herein by reference and constitute a part of any contract for the purchase of the products described herein.

CBBPP1055 Rev. 12122019
Copyright © 2019 Banner Industries, Inc. All rights reserved.