

# 4075FX HIGH FLOW RATE INK FILTERS

## 4075FX DISC POLYPROPYLENE MEMBRANE FILTERS FOR HIGH-SPEED PRINTING

Cobetter® 4075FX Disc Point-of-Use Filters with their high flow rate features and 40 cm width are specially designed for digital ink-jet printers which require high-speed printing, printheads including digital ceramic printers, wide format printers, and UV flatbed printers. This filter, usually installed before the printhead, is able to remove impurities from ink and prevent clogging.



| FEATURE                           | BENEFIT  |
|-----------------------------------|--|
| <b>Polypropylene Depth Media</b>  | Provides high flow rate, and high contaminant holding capacity<br>Non-fiber releasing media for ultra-pure downstream cleanliness  |
| <b>Large filtration area</b>      | Up to 20 cm <sup>2</sup> filtration area and high flow rate up to 70 ml/min (viscosity @ 10cps and pressure @ 50 mbar), the filters meet ink volume requirements used in high-speed printing.  |
| <b>40 cm filter width</b>         | With an oblong design, the 40 cm filter width is the same width as the printhead. This optimizes space and solves installation problems with multiple print heads.   |
| <b>Large bore connector</b>       | The filter directly connects with the print head which eliminates the need for additional connectors and leaks. The connected filter will stay vertical to maximize its effective filtration area due to an outer 2 mm edging affixed to the filter. |
| <b>No-twist fittings</b>          | End users do not have to screw the filter completely into the printhead connections since the outlet design allows for flexibility. This eliminates tube-twisting problems which could cause leaks.  |
| <b>Thermal welding technology</b> | No adhesive resins to ensure capsule filter's cleanliness and long-use pressure endurance  |
| <b>Quality Assurance</b>          | Manufactured in a facility which adheres to ISO 9001 Practices.  |

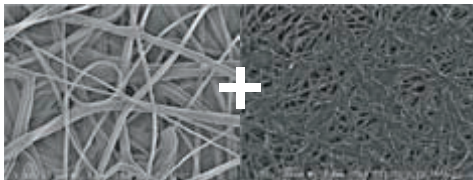
### Typical Applications

Final Point-of-Use Filtration:

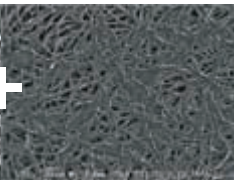
- Dye-based Ink Jet Inks
- Active Dye Ink Jet Inks
- Acid Dye Ink Jet Inks
- Digital Ink Jet Printers
- Digital Ceramic Printers
- Textile Printers
- Wide Format Printers
- UV Flatbed Printers

Print Head:

- StarFire™ 1024



Pre-Polypropylene depth media



Final non-fiber-releasing polypropylene media

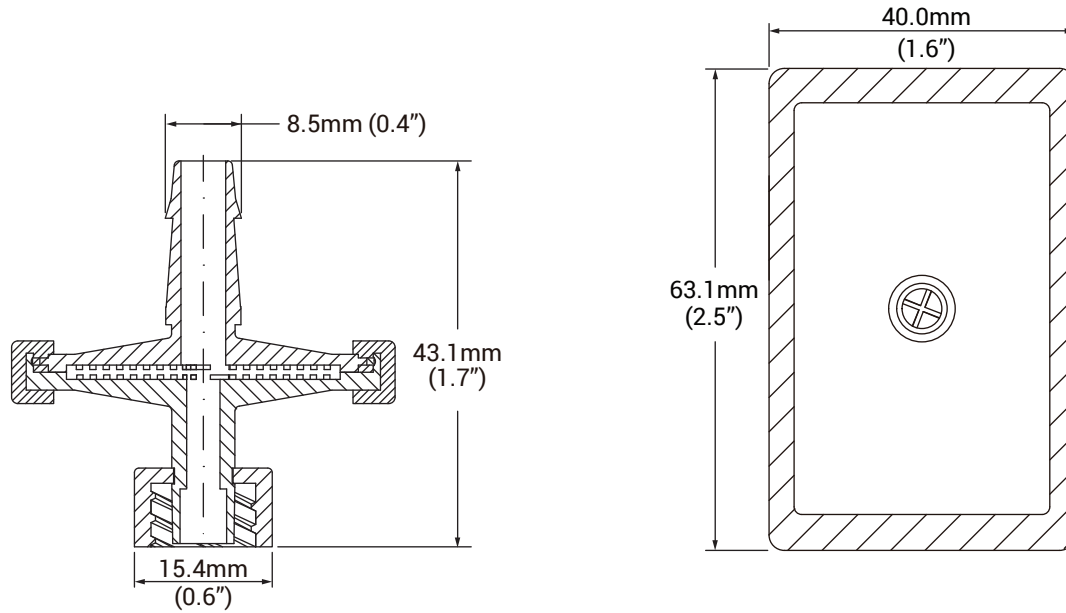


Stainless Steel Mesh

## SPECIFICATIONS

|                                   |  |
|-----------------------------------|--|
| <b>Filter media</b>               | PPEP - Pleated Pre-Polypropylene depth media, Stainless Steel Mesh |
| <b>Cage/Core/Shell/End Cap</b>    | Polypropylene or black UV resistant shells                         |
| <b>Max. Operating temperature</b> | 50°C (120°F)   |
| <b>Max. Operating Pressure</b>    | 0.7 Mpa (7.0 bar, 101 psi)   |
| <b>Effective Filtration Area</b>  | 20 cm <sup>2</sup> (3.1 in <sup>2</sup> )                          |

## DIMENSIONS



## ORDERING INFORMATION

EXAMPLE: **4075FXB-PPEP0500C** = black polypropylene shell, PPEP membrane, 5 µm

**4075FX**



-



**C**

**Shell**

— = Standard Polypropylene  
**B** = Black Polypropylene

**Filter Media**

PPEP = Polypropylene Media  
 SS = Steel Mesh

**Removal Rating**

0500 = 5 µm  
 1000 = 10 µm  
 2000 = 20 µm



BANNER INDUSTRIES IS THE EXCLUSIVE DISTRIBUTOR FOR COBETTER PRODUCTS IN THE USA  
 Visit [www.bannerindustries.com](http://www.bannerindustries.com) and select the Contact Us link to find the location nearest you. The Banner Industries of N.E., Inc. Terms and Conditions of Sale apply and are fully and expressly incorporated herein by reference and constitute a part of any contract for the purchase of the products described herein.

[www.bannerindustries.com](http://www.bannerindustries.com) | Technical Sales: [filtration@bannerindustries.com](mailto:filtration@bannerindustries.com)

CBBPP1088 Rev. 05062020  
 Copyright © 2020 Banner Industries, Inc. All rights reserved.  
 StarFire is a trademark of Fujifilm.