

**130HCP RESIN CONSTRUCTED FILTER HOUSINGS**

Ideal for food & beverage, ultrapure water, and other high purity chemical applications

# 130HCP RESIN CONSTRUCTED FILTER HOUSINGS FOR SOE 334 CARTRIDGES

**ALL NATURAL POLYPROPYLENE CONSTRUCTION PROVIDES BROAD CHEMICAL COMPATIBILITY, IDEAL FOR FOOD & BEVERAGE, ULTRAPURE WATER, AND OTHER HIGH PURITY CHEMICAL APPLICATIONS**

130HCP Filter Housings are constructed of 100% natural polypropylene without any coloring agents or chemicals. These housings provide broad chemical compatibility and are ideally suited for food & beverage, ultrapure water, and other high purity chemical applications.

**FEATURE**

**BENEFIT**

**100% natural polypropylene (PP) construction**

Provides cleanliness and broad chemical compatibility

Low extractables - no chemicals and colorants are released during filtration process.

**T-line configuration**

T-line configuration allows tubing to be kept inline

**SPECIFICATIONS**

**Housing body**

PP

**Closure cap, nut**

PP

**Spanner**

PVC/PP

**O-ring/gaskets**

EPDM, FKM, FFKM

**Cartridge dimensions**

Diameter: 130 mm  
Length: 10"

**Max. flow rate**

15 lpm

**Design pressure**

0.6 MPa (6 bar, 87 psi)

**Fittings**

I/O: Pipe Union (334) 40A, 50A, 65A

Drain: 1/4" NPT

**Max. operating temperature**

40°C (104°F)

**Max. operating pressure**

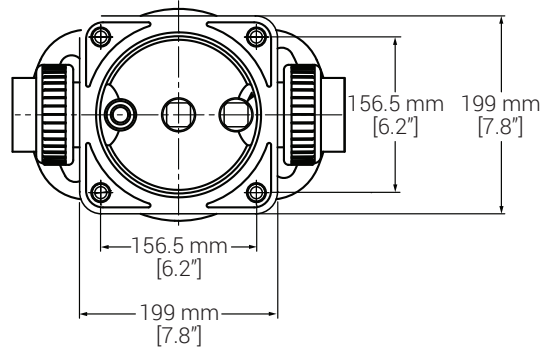
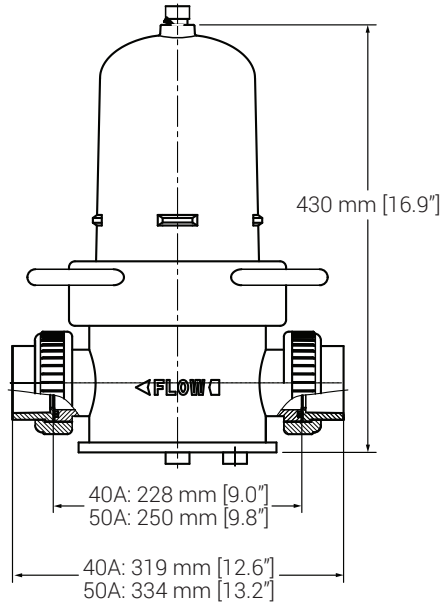
0.6 Mpa (6 bar, 87 psi) at 25°C  
0.4 Mpa (4 bar, 58 psi) at 40°C



**TYPICAL APPLICATIONS**

- Deionized Water
- Alcohol
- Solvents
- High Flow Process
- Flat Panel Displays
- Industrial

## DIMENSIONS



## ORDERING INFORMATION - 130HCP HOUSINGS

EXAMPLE: **130HCPP10NEV** = 10", 334 end cap, 40A I/O, with FKM seals

**130HCP**

**P**

**Housing Body**  
P = PP

**10**

**Filter Length**  
10 = 10"

**N**

**End Cap**  
N = 334

**Inlet/Outlet**

E = 40A pipe union  
F = 50A pipe union  
G = 65A pipe union

**Seal Material**

E = EPDM  
V = FKM  
K = FFKM



**BANNER INDUSTRIES IS THE EXCLUSIVE DISTRIBUTOR FOR COBETTER PRODUCTS IN THE USA**  
Visit [www.bannerindustries.com](http://www.bannerindustries.com) and select the Contact Us link to find the location nearest you. The Banner Industries of N.E., Inc. Terms and Conditions of Sale apply and are fully and expressly incorporated herein by reference and constitute a part of any contract for the purchase of the products described herein.

[www.bannerindustries.com](http://www.bannerindustries.com) | Technical Sales: [filtration@bannerindustries.com](mailto:filtration@bannerindustries.com)

CBBPP1138 Rev. 06092020  
Copyright © 2020 Banner Industries, Inc. All rights reserved.